



The Complete Solution

Price Guide
January 2021

Version 1

Ascot House,
Kinsealy Lane,
Malahide,
Co. Dublin
K36 HH42

Phone: 01- 9617700
Email: sales@idealenergy.ie
Web: www.idealenergy.ie

Ideal Energy Distribution Ltd is a 100% Irish owned company committed to the design, specification, supply and after sales service of renewable, energy & heating products for both the domestic and commercial markets.

Working with world leading manufacturers, we have developed innovative solutions to suit unique Irish conditions.

Range of products:

- Ideal Domestic Gas Boilers*
- Ideal Commercial Gas Boilers*
- Ideal Vented & Unvented Cylinders*
- Ideal Steel Radiators*
- Groupe Atlantic Heat Pumps*
- Gledhill Heat Pump Cylinders*
- Atlantic Electric Radiators*
- Orcon Mechanical Ventilation and Heat Recovery*
- Adey Magnetic Filters and Chemicals*
- Hive Heating & Home Controls*
- Heatmiser Heating Controls*

Our experienced team can provide assistance in the design process. Support documentation certifying compliance to the relevant specifications will be provided, offering complete peace of mind.

We operate a centre of excellence, committed to delivering best in class technical support and training programmes. This ensures our products are installed and commissioned to the highest standard and qualify for our unrivalled warranty commitment.

Range of Services:

- Heating System Designs*
- Compliance*
- Consultation*
- Commissioning*
- Training*
- Site Visits*
- Warranty & Aftercare*

Find out more, visit www.idealenergy.ie

Contents

PRODUCT	PAGE	PRODUCT	PAGE
DOMESTIC BOILERS		COMMERCIAL WALL MOUNTED BOILERS	
Vogue Max ^{IE}	4	Evomax 2	100 - 111
Logic Max ^{IE}	5	Evo S	112 - 119
Logic ^{IE}	7	Independent	120 - 121
Flues & Accessories	8 - 9	COMMERCIAL FLOOR MOUNTED BOILERS	
Flue Options	10 - 17	Imax Xtra	124 - 127
Halo	19	Imax Xtra EL	130 - 133
CYLINDERS		Evomod	134 - 137
Vented Stainless Biofoam	22 - 23	EvoJet	138 - 141
Vented Stainless Cylinder	24	ADEY COMMERCIAL	
Thermstore IE	25	Filters & Pressurisation Units.....	142 - 143
ADEY			
Domestic Range.....	26 - 27		
HEAT PUMP WATER HEATERS			
Explorer Heat Pump Cylinder	28 - 29		
ELECTRIC RADIATORS			
F127.....	32		
Tatou	33		
Timelis	34		
Accessio	35		
Agilia	36		
Agilia Digital	37		
Galapagos.....	38 - 39		
Oniris	40		
Cozy Touch	41		
IDEAL STEEL RADIATORS			
Ideal Compact	47		
Ideal Deco	49		
Ideal Deco Concept	51		
Ideal Deco Vertical	53		
Ideal Concord Plane	55		
Ideal Concord Vertical	57		
Ideal Concord Slimline Vertical	59		
HIVE			
Domestic.....	65		
HEAT PUMPS			
Alfea Extensa	68 - 71		
Alfea Excellia	72 - 75		
Alfea AI Range & Heat Pump Accessories..	76 - 77		
Loria	80 - 83		
UNDERFLOOR HEATING			
Giacomini	85		
Heatmiser	86 - 87		
ORCON			
IED Ducting for Mechanical Ventilation ..	90 - 93		

Vogue Max^{IE}

COMBI 26 32 40
SYSTEM 15 18 26 32

The Ultimate in Quality

The Vogue Max^{IE} has been designed for Irish Customers looking for a Premium Stainless Steel Boiler. With world leading technology, a sleek stylish design, 3.5" LCD display and an Adey system filter as standard, the Vogue Max IE affords homeowners the ultimate in peace of mind with a 12 year Manufacturers' warranty.



Up to 40kW output



Premium components



Stainless steel heat exchanger



Quality System Filter Included as standard



Made for Ireland



Simple to install & service



Easy to use full colour display



Frost protection

A **A**
A **A**

VOGUE MAX IE NATURAL GAS

Description	Model	KW 70°C	KW 40°C	H x W x D mm			Reference	List Price
Vogue Max System IE Boiler (12 year warranty)	15IE	3-15	16.2	740	445	330	223529	€1,265
	18IE	3.6-18	19.3	740	445	330	223530	€1,300
	26IE	5.2-26	27.9	740	445	330	223531	€1,335
	32IE	6.4-32	34.3	740	445	330	223532	€1,405
Vogue Max Combi IE Boiler (12 year warranty)	26IE	3.7-18	19.3	740	445	330	223525	€1,435
	32IE	4.6-26	27.9	740	445	330	223526	€1,505
	40IE	5.7-32	34.3	740	445	330	223528	€1,580

LPG Kits available.

Logic Max^{IE}

Combi 24 30 35
System 15 18 24 30
Heat 15 18 24 30

The Best just got Better

The Logic Max^{IE} has been designed specifically for Irish Market conditions. The Logic Max^{IE} range comes complete with quality filter as standard & affords homeowners peace of mind with the new 10 year manufacturers' warranty .



Compact cupboard fit



Easy to see pressure gauge



Opentherm ready



Quality System Filter Included as standard



Made for Ireland



NOx class 6



Frost protection



Easy to use fully backlit LCD display

A **A**

A **A**

LOGIC Max^{IE} NATURAL GAS

Description	Model	KW 70°C	KW 40°C	H x W x D mm			Reference	List Price
Logic Max ^{IE} Heat Boiler (10 year warranty)	H15IE	4.8-15.0	5.1-15.9	700	395	278	223521	€970
	H18IE	4.8-18.0	5.1-19.1	700	395	278	223522	€1,010
	H24IE	4.8-24.2	5.1-25.6	700	395	278	223523	€1,050
	H30IE	6.1-30.3	6.4-31.0	700	395	278	223524	€1,135
Logic Max ^{IE} System Boiler (10 year warranty)	S15IE	4.8-15.0	5.1-15.9	700	395	278	223516	€1,060
	S18IE	4.8-18.0	5.1-19.1	700	395	278	223517	€1,070
	S24IE	4.8-24.2	5.1-25.6	700	395	278	223518	€1,105
	S30IE	6.1-30.3	6.1-31.0	700	395	278	223519	€1,175
Logic Max ^{IE} Combi Boiler (10 year warranty)	C24IE	4.8-24.2	5.1-25.6	700	395	278	223513	€1,115
	C30IE	6.1-24.2	6.4-25.6	700	395	278	223514	€1,230
	C35IE	7.1-24.2	7.5-25.6	700	395	278	223515	€1,360

LPG Kits available.

ideal

HEATING



MADE FOR IRELAND

Logic^{IE}

Combi 24 30 35
System 15 18 24 30
Heat 15 18 24 30

The Logic^{IE} has been designed specifically for Irish Market conditions. With hundreds of thousands installed in Ireland the Logic^{IE} has become the boiler of choice for Irish Installers and is backed by Manufacturers' 7 year warranty as standard .



Compact cupboard fit



Easy to see pressure gauge



Opentherm ready



Made for Ireland



NOx class 6



Frost protection



Easy to use fully backlit LCD display



LOGIC IE NATURAL GAS

Description	Model	KW 70°C	KW 40°C	H x W x D mm			Reference	List Price
Logic Heat IE Boiler (7 year warranty)	H15IE	4.8-15.0	5.1-15.9	700	395	278	218266	€820
	H18IE	4.8-18.0	5.1-19.1	700	395	278	218267	€860
	H24IE	4.8-24.2	5.1-25.6	700	395	278	218268	€900
	H30IE	6.1-30.3	6.4-31.0	700	395	278	218269	€985
Logic System IE Boiler (7 year warranty)	S15IE	4.8-15.0	5.1-15.9	700	395	278	215668	€910
	S18IE	4.8-18.0	5.1-19.1	700	395	278	215669	€920
	S24IE	4.8-24.2	5.1-25.6	700	395	278	215670	€955
	S30IE	6.1-30.3	6.1-31.0	700	395	278	215671	€1,025
Logic Combi IE Boiler (7 year warranty)	C24IE	4.8-24.2	5.1-25.6	700	395	278	218262	€965
	C30IE	6.1-24.2	6.4-25.6	700	395	278	218263	€1,080
	C35IE	7.1-24.2	7.5-25.6	700	395	278	218264	€1,210

Outputs quoted are for non-condensing mode.

LPG Kits available. See Page 9 for details

Flues & accessories

LOGIC & VOGUE FLUE KITS

Part No.	Description	Logic Heat IE	Logic Syst. IE	Logic Combi	Vogue GEN2 Combi	Vogue GEN2 Syst.	List Price
208171	Horizontal flue terminal (0.6m long)	✓	✓	✓	✓	✓	€85.47
217442	Horizontal flue terminal (1m long)	✓	✓	✓	✓	✓	€108.40
208169	Telescopic B pack flue (0.6m long)	✓	✓	✓	✓	✓	€88.26
208174	Telescopic horizontal flue terminal (1m long)	✓	✓	✓	✓	✓	€116.55
208290	Raised horizontal flue kit	✓	✓	✓	✓	✓	€469.72
211037	Flue extension 0.5m kit (Pack D)	✓	✓	✓	✓	✓	€58.70
203129	Flue extension 1m (pack D)	✓	✓	✓	✓	✓	€64.90
211038	Flue extension 2m kit (Pack D)	✓	✓	✓	✓	✓	€146.45
203130	Flue elbow 90° kit (60/100)	✓	✓	✓	✓	✓	€55.81
203131	Flue elbow 45° kit (60/100) (pair)	✓	✓	✓	✓	✓	€101.65
203132	Roof Flue Kit / Vertical Flue Kit	✓	✓	✓	✓	✓	€172.91
208175	Flue vertical connector	✓	✓	✓	✓	✓	€79.68
208178	High level flue outlet kit / Plume Kit	✓	✓	✓	✓	✓	€134.13
203228	Flue ext. kit 60mm dia (1m)-high level flue o/l kit	✓	✓	✓	✓	✓	€52.53
203229	High level 90° elbow	✓	✓	✓	✓	✓	€57.22
203230	High level 45° elbow (pair)	✓	✓	✓	✓	✓	€64.88
152258	Weather collar universal 100mm (slate/tile)	✓	✓	✓	✓	✓	€65.63
152259	Weather collar flat roof 100mm dia	✓	✓	✓	✓	✓	€57.11
208176	Flue deflector Kit 60mm dia	✓	✓	✓	✓	✓	€70.86
205990	Rear flue outlet kit 55/80 (Logic Heat IE only)	✓	✗	✗	✗	✗	€80.30
205989	High level outlet kit 55/80 (Logic Heat IE only, rear flue)	✓	✗	✗	✗	✗	€176.63
208177	Balcony flue outlet kit	✓	✓	✓	✓	✓	€268.86
211039	Roof flue kit (with vertical connector)	✓	✓	✓	✓	✓	€252.59
211302	Soffit kit 60/100	✓	✓	✓	✓	✓	€47.92
205247	Flue bracket kit	✓	✓	✓	✓	✓	€23.29
205024	Concentric flue screw retaining kit	✓	✓	✓	✓	✓	€4.96
155988	Flue finishing kit	✓	✓	✓	✓	✓	€20.14
203134	Flue powered vertical terminal 100 dia (Logic IE only)	✓	✓	✓	✗	✗	€159.11
203136	Vertical powered flue kit (Logic only)	✓	✓	✓	✗	✗	€180.01
203142	Flue ext. pipe 80mm dia(pair) twin/vert (Logic IE only)	✓	✓	✓	✗	✗	€117.88
210803	Roof terminal extension 60/100	✓	✓	✓	✓	✓	€145.16
223534	Ideal Brass Flushing Adaptor	✓	✓	✓	✓	✓	€40.00
223661	Ideal Plastic Flushing Adaptor	✓	✓	✓	✓	✓	€30.00

VOGUE ACCESSORIES

Part No.	Description	Logic Heat IE	Logic Syst. IE	Logic Combi	Vogue GEN2 Combi	Vogue GEN2 Syst.	List Price
208442	Stand off kit Vogue	x	x	x	✓	✓	€55.04
217088	Stand off kit (including piping) Vogue Combi IE	x	x	x	✓	x	€239.50
217089	Stand off kit (including piping) Vogue System IE	x	x	x	x	✓	€138.25
205419	Kit - DHW expansion vessel	x	x	x	✓	✓	€51.39
159991	Condensate pump kit	x	x	x	✓	✓	€230.69
204565	Secondary pressure relief valve kit	x	x	x	✓	✓	€25.65
205217	Security bracket kit	x	x	x	✓	✓	€26.50

LOGIC ACCESSORIES

Part No.	Description	Logic Heat IE	Logic Syst. IE	Logic Combi	Vogue GEN2 Combi	Vogue GEN2 Syst.	List Price
211103	Stand off kit (Logic Combi & System)	x	✓	✓	x	x	€65.06
211101	Stand off kit (including upward piping, combi)	x	x	✓	x	x	€243.54
211330	Stand off kit with pipes Logic System IE	x	✓	x	x	x	€145.79
206153	Stand off kit Logic Heat IE	✓	x	x	x	x	€57.79
211328	Terminal Wall Plate RS kit combi & system IE	x	✓	✓	x	x	€43.43
206164	Terminal wall plate kit RS replacement (heat)	✓	x	x	x	x	€38.54
211041	Pre-piping kit (combi IE)	x	x	✓	x	x	€270.62
211331	Pre-piping kit (System IE)	x	✓	x	x	x	€212.00

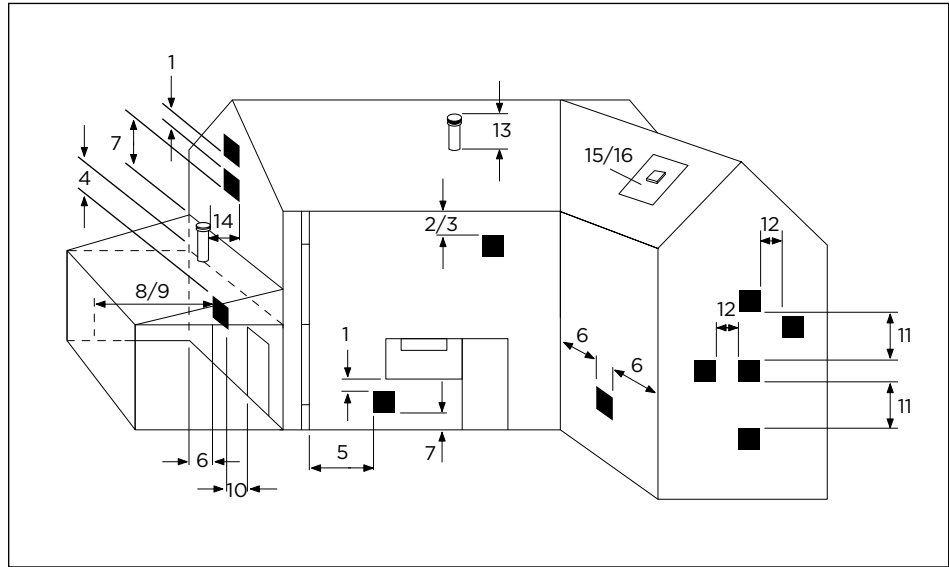
NG-LPG CONVERSION KITS

Part No.	Description	Logic Heat IE	Logic Syst. IE	Logic Combi	Vogue GEN2 Combi	Vogue GEN2 Syst.	List Price
218366	Logic Combi 24IE Mark 3	x	x	✓	x	x	€107.94
218367	Logic Combi 30IE Mark 3	x	x	✓	x	x	€107.94
218368	Logic Heat 24IE Mark 3	✓	x	x	x	x	€107.94
218369	Logic Heat 30IE Mark 3	✓	x	x	x	x	€107.94
215747	Logic System 24IE Mark 3	x	✓	x	x	x	€107.94
215748	Logic System 30IE Mark 3	x	✓	x	x	x	€107.94
218370	Vogue Combi 26IE Gen 2	x	x	x	✓	x	€107.94
218371	Vogue Combi 32IE Gen 2	x	x	x	✓	x	€107.94
218372	Vogue Combi 40IE Gen 2	x	x	x	✓	x	€107.94
218373	Vogue System S15IE Gen 2	x	x	x	x	✓	€107.94
218374	Vogue System S18IE Gen 2	x	x	x	x	✓	€107.94
218375	Vogue System S26IE Gen 2	x	x	x	x	✓	€107.94
218376	Vogue System S32IE Gen 2	x	x	x	x	✓	€107.94

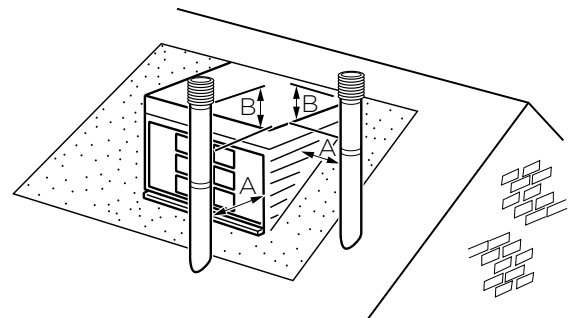
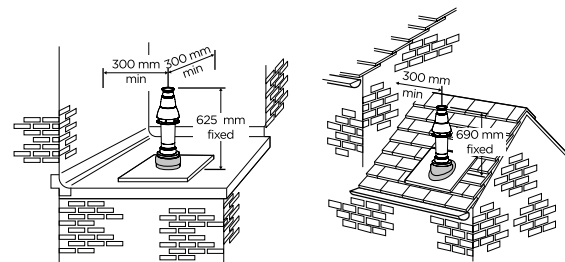
There are a substantial number of flue options available with the Ideal ranges, giving excellent siting flexibility for almost all applications.

The range of options include standard and telescopic flues as well as roof flue and powered vertical flue options.

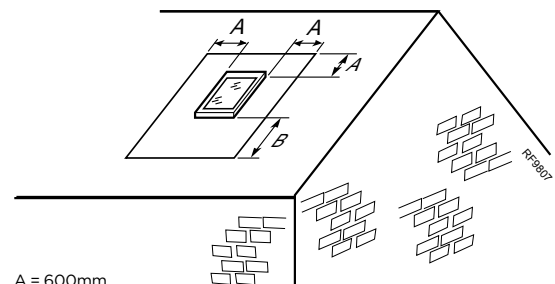
To ensure siting issues are kept to a minimum, High Level Flue Outlet kit options and Flue Deflector kits are available.



FLUE TERMINAL POSITION	MIN. SPACING
1. Directly below, above or alongside an opening window, air vent or other ventilation opening.	300mm (12")
2. Below guttering, drain pipes or soil pipes. BS5440-1 2008	25mm (1")* 75mm (3")
3. Below eaves. BS5440-1 2008	25mm (1")* 200mm (8")
4. Below balconies or car port roof. BS5440-1 2008	25mm (1")* 200mm (8")
5. From vertical drain pipes or soil pipes. BS5440-1 2008	25mm (1")* 150mm (6")
6. From an internal or external corner or to a boundary alongside the terminal. BS5440-1 2008	25mm (1")* 300mm (12")
7. Above ground, roof or balcony level.	300mm (12")
8. From a surface or a boundary facing a terminal.	600mm (24")
9. From a terminal facing a terminal.	1200mm (48")
10. From an opening in a car port (eg. door or window) into dwelling.	1200mm (48")
11. Vertically from a terminal on the same wall.	1500mm (60")
12. Horizontally from a terminal on the wall.	300mm (12")
VERTICAL FLUES	
13. Above the roof pitch with roof slope of all angles. Above flat roof.	300mm (12") 300mm (12")
14. From a single wall face. From corner walls.	300mm (12") 300mm (12")
15. Below velux window.	2000mm (79")
16. Above or side of velux window.	600mm (24")



If chimney penetrates dotted area such that A is less than 300mm, B shall not be less than 300mm.



A = 600mm
B = 2000mm

The flue terminal shall not penetrate the shaded area of the roof.

* Only one reduction down to 25mm is allowable per installation otherwise BS5440-1 2008 dimensions must be followed.

Flue Accessories

Logic Combi & Vogue Combi

Total Maximum Permissible Horizontal Concentric Flue Length

combining both 'B' Packs and 'D' Packs (Measured from centreline of the turret to the outside of the wall terminal)

24 & 26 kW Appliances	Total Maximum: 9 metres - minus any flue kit options or bends
30 & 32 kW Appliances	Total Maximum: 8 metres - minus any flue kit options or bends
35 & 38 kW Appliances	Total Maximum: 6 metres - minus any flue kit options or bends

Total Maximum Permissible Vertical Flue Length

combining both Roof Terminal and 'D' Packs

24 - 38 kW Appliances	Total Maximum: 7.5 Metres - minus any bends
Powered Vertical Flue	
24 - 38 kW Appliances	Example: 5 Metres - Concentric Flue and 17m flue pipe only. For additional configurations and details refer to the Powered Vertical instructions

90° Elbow Kit 60/100 - (Equivalent flue length resistance = 1M)

45° Elbow Kit 60/100 - (Equivalent flue length resistance = 0.6M)

Minimum Horizontal Flue Lengths (Centre line of turret to outside of wall terminal)

Telescopic Flue 'B' Pack = 400mm

Horizontal Flue terminal (600mm long) 'B' Pack = 285mm

<p>Telescopic B pack flue (0.6m long)</p> <p>Ideal part no. 208169</p>	<p>Horizontal flue terminal (0.6m long)</p> <p>Ideal part no. 208171</p>	<p>Telescopic horizontal flue terminal (1m long)</p> <p>Ideal part no. 208174</p>	<p>Flue extension 0.5m, 1m or 2m (Pack D)</p> <p>Ideal part no. 0.5m 211037 1m 203129 2m 211038</p>	<p>Flue Bracket Kit</p> <p>Ideal part no. 205247</p>	<p>Flue deflector 60 dia</p> <p>Ideal part no. 208176</p>
<p>Flue elbow 90° kit (60/100) packaged</p> <p>Ideal part no. 203130</p>	<p>Flue elbow 45° kit (60/100) packaged (pair)</p> <p>Ideal part no. 203131</p>	<p>Roof flue kit inc. vertical connector</p> <p>Ideal part no. 211039</p>	<p>Flue vertical connector</p> <p>Ideal part no. 208175</p>	<p>Weather collar (universal) 100 dia</p> <p>Ideal part no. 152258</p>	<p>Weather collar (flat roof) 100 dia</p> <p>Ideal part no. 152259</p>
<p>Flue powered vertical terminal 100 dia</p> <p>Ideal part no. 203134</p>	<p>Vertical Powered flue kit</p> <p>Ideal part no. 203136</p>	<p>Flue extension pipe 80 dia (pair) twin/vertical</p> <p>Ideal part no. 203142</p>	<p>Concentric flue screw retaining kit</p> <p>Ideal part no. 205024</p>	<p>Flue finishing kit</p> <p>Ideal part no. 155988</p>	<p>Terminal wall plate (Combi C)</p> <p>Ideal part no. 211328</p>
<p>Balcony flue outlet kit</p> <p>Ideal part no. 208177</p>			<p>Soffit kit</p> <p>Ideal part no. 211302</p>		<p>Raised horizontal flue outlet kit</p> <p>NOTE: A 1 metre vertical pipe is supplied as standard. Both horizontal and vertical lengths can be extended using extension pack D. Refer to installation instructions for maximum lengths.</p> <p>Ideal part no. 208290</p>

Flue Accessories

Logic System, Vogue System and Logic Heat

Total Maximum Permissible Horizontal Concentric Flue Length

combining both 'B' Packs and 'D' Packs (Measured from centreline of the turret to the outside of the wall terminal)

15, 18 & 24 kW Appliances	Total Maximum: 9 metres - minus any flue kit options or bends
30 kW Appliances	Total Maximum: 8 metres - minus any flue kit options or bends

Total Maximum Permissible Vertical Flue Length

combining both Roof Terminal and 'D' Packs

15, 18, 24 & 30kW Appliances	Total Maximum: 7.5 Metres - minus any bends
Powered Vertical Flue	
15, 18, 24 & 30kW Appliances	Example: 5 Metres - Concentric Flue and 17m flue pipe only. For additional configurations and details refer to the Powered Vertical instructions

90° Elbow Kit 60/100 - (Equivalent flue length resistance = 1M)

45° Elbow Kit 60/100 - (Equivalent flue length resistance = 0.6M)

Minimum Horizontal Flue Lengths (Centre line of turret to outside of wall terminal)

Telescopic Flue 'B' Pack = 400mm

Horizontal Flue terminal (600mm long) 'B' Pack = 285mm

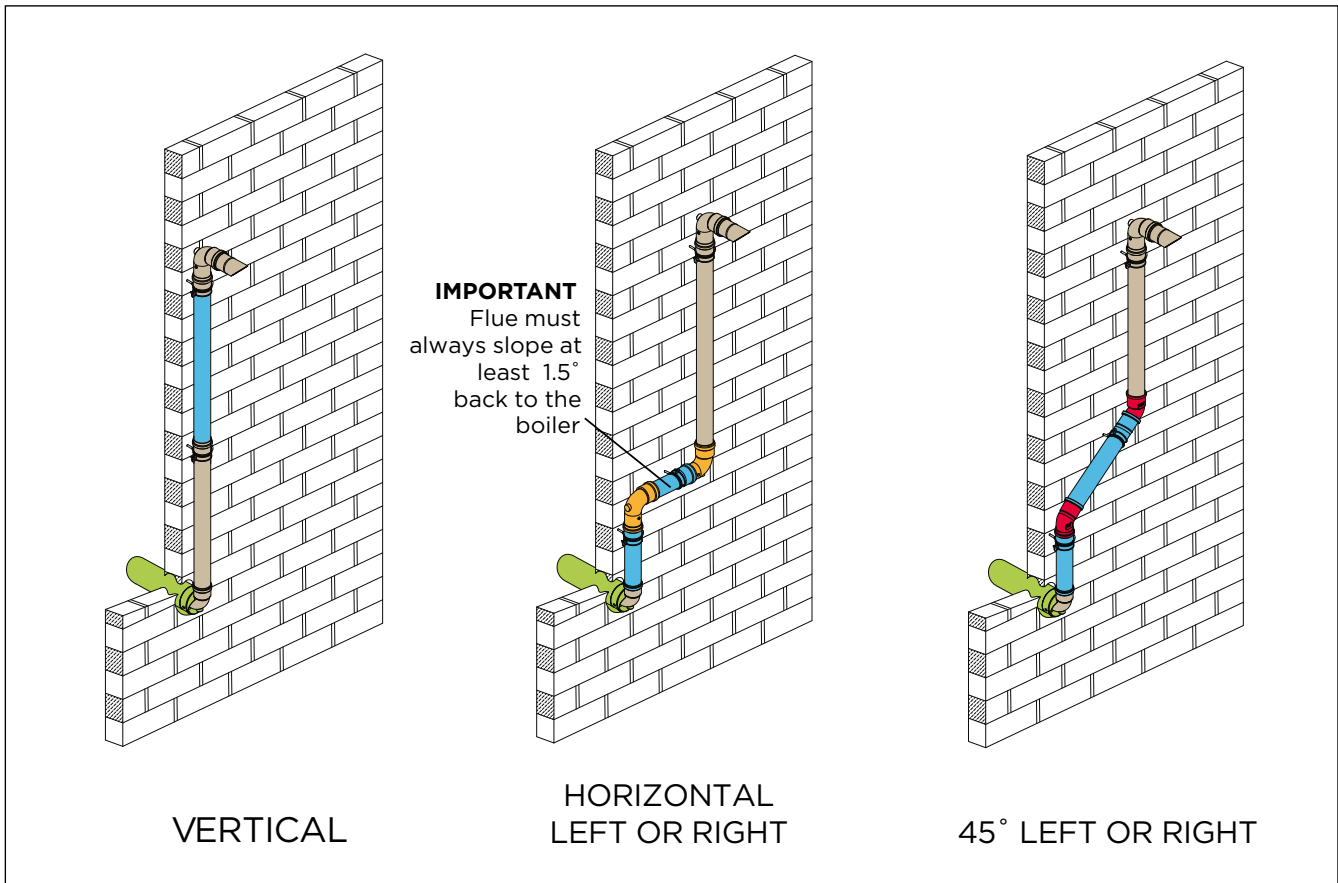
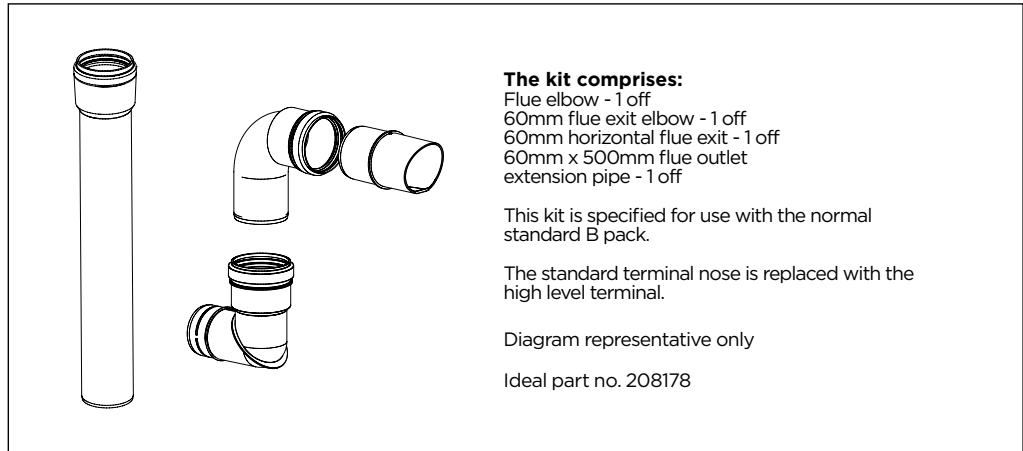
<p>Telescopic B pack flue (0.6m long)</p> <p>Ideal part no. 208169</p>	<p>Horizontal flue terminal (0.6m long)</p> <p>Ideal part no. 208171</p>	<p>Telescopic horizontal flue terminal (1m long)</p> <p>Ideal part no. 208174</p>	<p>Flue extension 0.5m, 1m or 2m (Pack D)</p> <p>Ideal part no. 0.5m 211037 1m 203129 2m 211038</p>	<p>Flue Bracket Kit</p> <p>Ideal part no. 205247</p>	<p>Flue deflector 60 dia</p> <p>Ideal part no. 208176</p>
<p>Flue elbow 90° kit (60/100) packaged</p> <p>Ideal part no. 203130</p>	<p>Flue elbow 45° kit (60/100) packaged (pair)</p> <p>Ideal part no. 203131</p>	<p>Roof flue kit inc. vertical connector</p> <p>Ideal part no. 211039</p>	<p>Flue vertical connector</p> <p>Ideal part no. 208175</p>	<p>Weather collar (universal) 100 dia</p> <p>Ideal part no. 152258</p>	<p>Weather collar (flat roof) 100 dia</p> <p>Ideal part no. 152259</p>
<p>Flue powered vertical terminal 100 dia</p> <p>Ideal part no. 203134</p>	<p>Vertical Powered flue kit</p> <p>Ideal part no. 203136</p>	<p>Flue extension pipe 80 dia (pair) twin/vertical</p> <p>Ideal part no. 203142</p>	<p>Concentric flue screw retaining kit</p> <p>Ideal part no. 205024</p>	<p>Flue finishing kit</p> <p>Ideal part no. 155988</p>	<p>Terminal wall plate</p> <p>Ideal part no. 211328 (System) 206164 (Heat)</p>
<p>Balcony flue outlet kit</p> <p>Ideal part no. 208177</p>			<p>Soffit kit</p> <p>Ideal part no. 211302</p>		<p>Raised horizontal flue outlet kit</p> <p>NOTE: A 1 metre vertical pipe is supplied as standard. Both horizontal and vertical lengths can be extended using extension pack D. Refer to installation instructions for maximum lengths.</p> <p>Ideal part no. 208290</p>

Accessories

High Level Flue Outlet Kit

These easy to install kits allow the boiler flue outlet to be extended external to the building, upwards to provide a flue exit at high level, overcoming problems associated with plume emission. The kit is simple to retrofit if necessary.

An external 60mm diameter flue leads from the boiler terminal (which includes a 90° elbow at the flue exit) to terminate with a 90° elbow complete with grille. Push fit one metre extension pipes are used as required, and the fixing clips supplied support the system from the wall. Both 90° and 45° elbows are available to provide routing options.



FLUE	IDEAL PART NO.
Horizontal flue terminal (0.6m long)	208171
High level flue outlet kit	208178
Flue extension kit 60 dia (1m) - for high level flue outlet kit	203228
High level 90° elbow	203229
High level 45° elbow	203230

If additional elbows to those supplied in the High Level Flue Outlet kit are used, deduct the following resistances (metres) from the maximum boiler flue length.

RESISTANCE	METRES
90° elbow	1.4
45° elbow (pair)	1.25

NOTE: Please refer to the installation and service manual for assistance in calculating flue lengths. Adequate support must be provided for the flue in accordance with the installation instructions.

IMPORTANT. The boiler must be installed in a vertical position in accordance to the installation instructions.

FLUE KITS

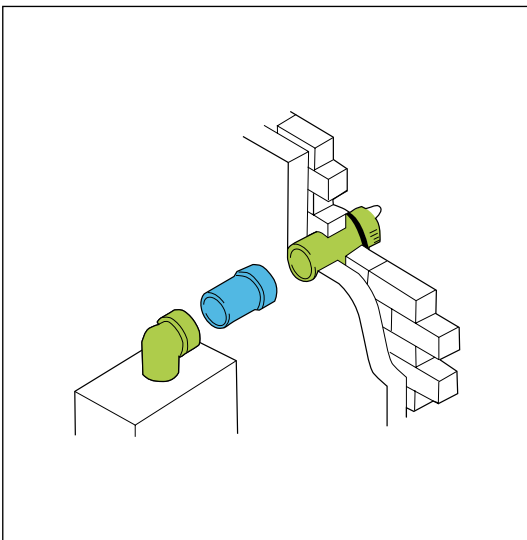
Telescopic Flue 'B' Pack - contains: Flue turret, telescopic flue incorporating a terminal and rubber wall seals.

Horizontal Flue Terminal (600mm long) 'B' Pack - contains: Flue turret, non telescopic single piece flue incorporating a terminal and rubber wall seals

Horizontal Flue Terminal (1000mm long) 'B' Pack - contains: Flue turret, telescopic flue incorporating a terminal, rubber wall seals and instructions.

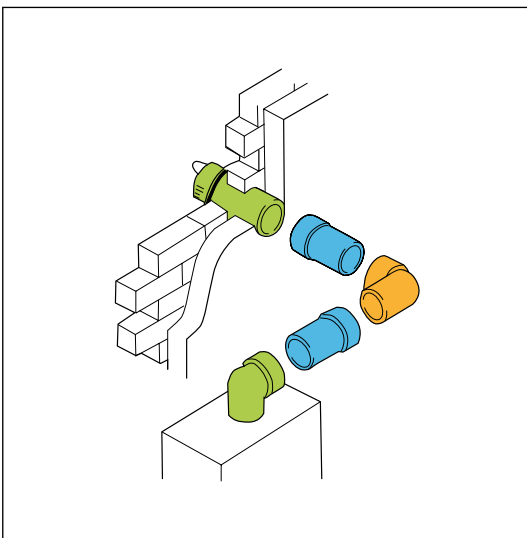
The flue system incorporates a removable flue outlet nose that utilises a push fit location system. This enables the installation of a Deflector, High level or Balcony flue kit without the removal of the whole 'B' pack terminal.

HORIZONTAL CONCENTRIC 100MM DIAMETER



FLUE	PART NO.
Horizontal flue terminal (0.6m long)	208171
Flue extension 1m (pack D)	203129

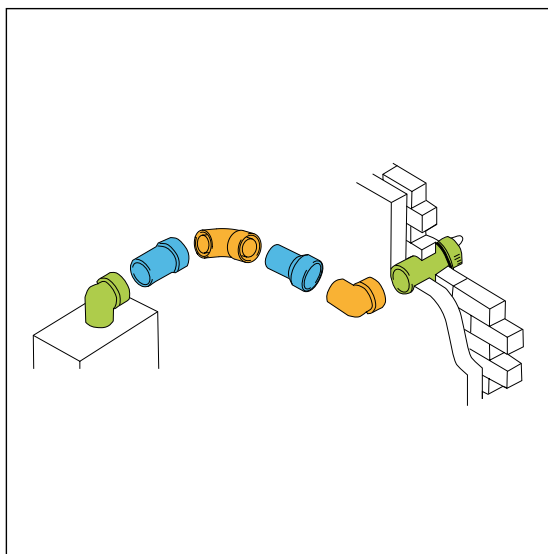
HORIZONTAL FLUE WITH 1 X 90° ELBOW



FLUE	PART NO.
Horizontal flue terminal (0.6m long)	208171
Flue extension 1m (pack D)	203129
Flue 90° elbow kit (60/100)	203130

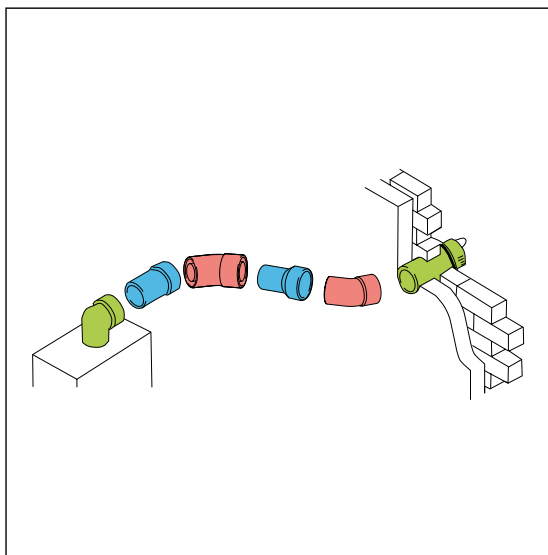
NOTE: Please refer to the installation and service manual for assistance in calculating flue lengths. Adequate support must be provided for the flue in accordance with the installation instructions.

HORIZONTAL FLUE WITH 2 X 90° ELBOW



FLUE	PART NO.
Horizontal flue terminal (0.6m long)	208171
Flue extension 1m (pack D)	203129
Flue 90° elbow kit (60/100)	203130

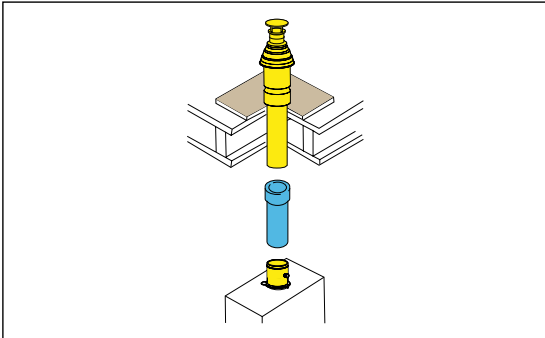
HORIZONTAL FLUE WITH 2 X 45° ELBOW



FLUE	PART NO.
Horizontal flue terminal (0.6m long)	208171
Flue extension 1m (pack D)	203129
Flue elbow 45° kit (60/100)	203131

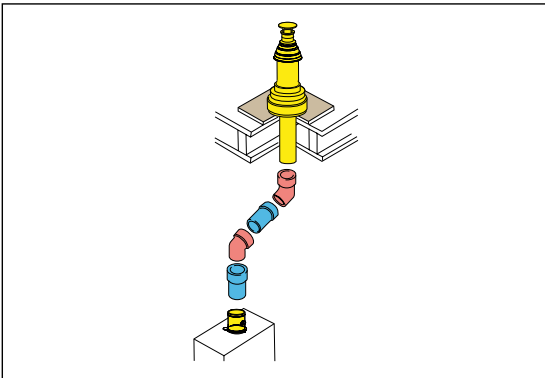
NOTE: Please refer to the installation and service manual for assistance in calculating flue lengths. Adequate support must be provided for the flue in accordance with the installation instructions.

ROOF FLUE SYSTEM



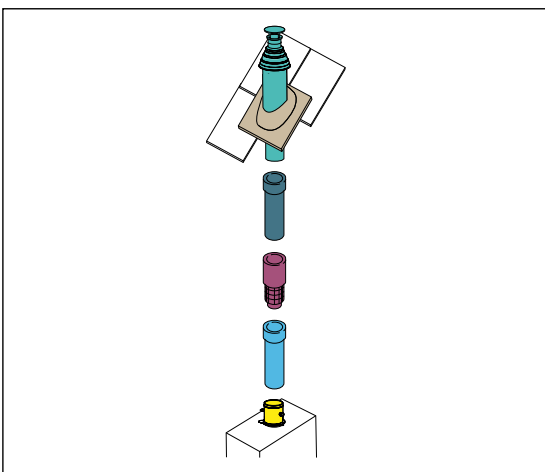
FLUE	PART NO.
Roof flue kit (with vertical connector)	211039
Flue extension 1m (pack D)	203129
Universal weather collar (suits any roof pitch)	152258
Flat roof weather collar	152259

ROOF FLUE SYSTEM WITH 2 X 45° ELBOW



FLUE	PART NO.
Roof flue kit (with vertical connector)	211039
Flue extension 1m (pack D)	203129
Flue elbow 45° kit (60/100)	203131
Universal weather collar (suits any roof pitch)	152258
Flat roof weather collar	152259

POWERED VERTICAL FLUE SYSTEM



FLUE	PART NO.
Vertical powered flue kit	203136
Flue vertical connector	208175
Flue powered vertical terminal	203134
Universal weather collar (suits any roof pitch)	152258
Flat roof weather collar	152259
Extension pack D	203129
Flue extension pipe 80 dia (pair) [†]	203142

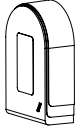
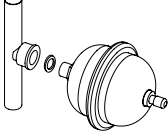
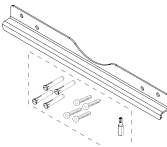
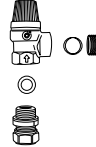
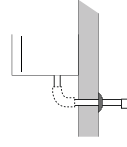
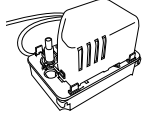
NOTE: Allows the boiler to be sited in a position where no access to an outside wall is available. Permits the concentric flue to run vertically from the top of the boiler and obtain air supply within the roof space, the secondary flue continuing to the external flue terminal. Offset applications are permissible though the maximum length is reduced.

Where extension D packs are cut to length, the flared end connector must be retained.

[†] Secondary Flue extension pipes are available in 0.5, 1 and 2 metre lengths.

NOTE: Please refer to the installation and service manual for assistance in calculating flue lengths. Adequate support must be provided for the flue in accordance with the installation instructions.

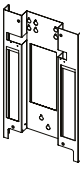
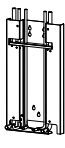
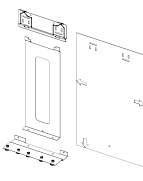
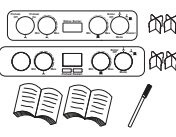
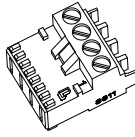
GENERIC.

<p>Weather compensation kit</p>  <p>Ideal part no. 216119</p>	<p>DHW expansion vessel kit*</p>  <p>Ideal part no. 205419</p>	<p>Security bracket kit</p>  <p>Ideal part no. 205217</p>	<p>Secondary pressure boiler valve kit</p>  <p>Ideal part no. 204565</p>	<p>Safety valve drain outlet pipe kit**</p>  <p>Ideal part no. 205126</p>	<p>Condensate pump kit</p>  <p>Ideal part no. 159991</p>
--	---	--	--	--	---

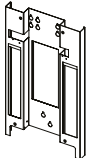

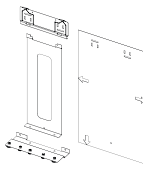
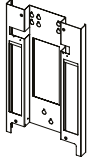
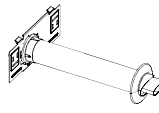
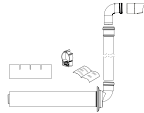
* Compatible with all Logic Combi boilers

** Supplied with all Logic+ boilers as standard

LOGIC COMBI

<p>Stand off kit</p>  <p>Ideal part no. 211103</p>	<p>Stand off kit Inc. piping</p>  <p>Ideal part no. 211101</p>	<p>Pre-piping kit</p>  <p>Ideal part no. 211041</p>	<p>Visually impaired fascia kit (Logic C only)</p>  <p>Ideal part no. 211329</p>	<p>OpenTherm harness kit (Logic C Only)</p>  <p>Ideal part no. 216118</p>
--	--	---	---	---

LOGIC SYSTEM

<p>Stand off kit</p>  <p>Ideal part no. 211103</p>	<p>Stand off kit Inc. piping</p>  <p>Ideal part no. 211330</p>	<p>Pre-piping kit</p>  <p>Ideal part no. 211331</p>	<p>Stand off kit</p>  <p>Ideal part no. 206153</p>	<p>Rear outlet flue (55/80)</p>  <p>Ideal part no. 205990</p>	<p>High level flue outlet kit (rear outlet only 55/80)</p>  <p>Ideal part no. 205989</p>
---	---	--	--	--	---

LOGIC HEAT

ideal
HEATING

HALO

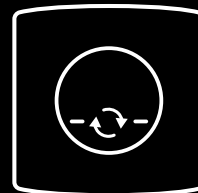
EASY AND FLEXIBLE CONTROL
FROM IDEAL HEATING



FAST AND SIMPLE
TO INSTALL



EASY
GEOLOCATION*



INTUITIVE TAP AND
TURN INTERFACE

Description	Reference	List Price
Ideal Halo Combi Wi-Fi	222142	€179.00
Ideal Halo Combi RF	222140	€153.00

TECHNICAL SPECIFICATION

	Ideal Halo Combi Wi-Fi	Ideal Halo Combi RF
Product Code	222142	222140
Power Source	4 x AA batteries	4 x AA batteries
Wireless communication protocol	Zigbee 3.0	Zigbee 3.0
Cloud connectivity	Wi-Fi	n/a
Communication protocol between Smart Interface and Boiler	OpenTherm	OpenTherm
Install location	Wall mounted or desk mounted	Wall mounted or desk mounted
Trim plate supplied	YES	YES
Desk stand supplied	YES	YES
Boiler compatibility	All current Logic and Vogue combi models with serial letter code prefix AFQ onwards (older boilers require additional bracket for external mounting of Smart Interface, please see install guide).	All current Logic and Vogue combi models with serial letter code prefix AFQ onwards (older boilers require additional bracket for external mounting of Smart Interface, please see install guide).
Screen type	Backlit colour TFT	Backlit colour TFT
Max scheduled events	6	6
Holiday mode	YES	YES
Optimised start and stop	YES	YES
Delayed start	YES	YES
Override next event	YES	YES
Override plus hours	YES	YES
OFF mode with frost protection	YES	YES
Child lock	YES - press and hold 2 buttons	YES - press and hold 2 buttons
Service function	YES - PIN number control	YES - PIN number control
Upper and lower temperature limits	YES - PIN number control	YES - PIN number control
Frost protection	YES - default 5C	YES - default 5C
App controlled heating	YES	
Compatible with Amazon Alexa	YES	n/a
Compatible with Google Home	YES	n/a
Location based heating control	YES	n/a
ErP Class	VI	V
Boiler Plus	YES - Enhanced Load Compensation	YES - Enhanced Load Compensation
WEEE	YES	YES
Certification	CE	CE

ideal
HEATING

WE BELIEVE
IN UNCHAINED
RELIABILITY



UP TO
12
YEAR WARRANTY*



ideal
HEATING

Cylinder Collection

STAINLESS BIOFOAM

10
YEAR

10 Year Warranty



Duplex Stainless Steel



Supplied fitted with
incoloy immersion



Complete with
compression fittings
with Irish
nut and olives



5/7 loop
corrugated coil for
maximum heat transfer



Tapping positions to
BS1566 specifications



Shower take-off/
secondary return
on all models



100% recyclable



Vented Stainless BioFoam

The Best Just Got Better

Features & Specifications

Stainless Steel vented cylinder, the true replacement for your copper cylinder.

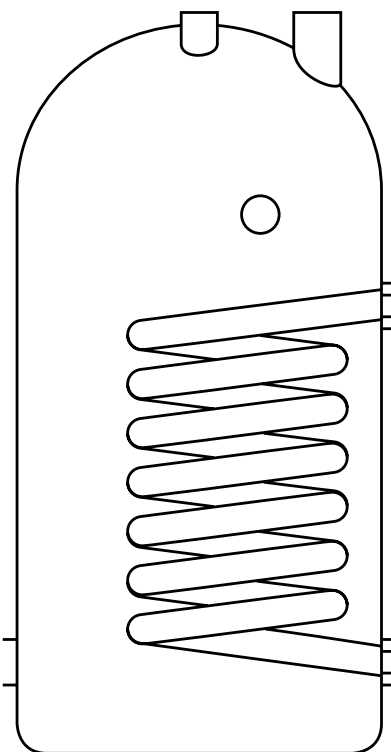
Manufactured to comply with the HWA standard for stainless steel vented cylinders, these cylinders also have strong environmental credentials including: industry leading 35mm HCFC free insulation, exceptional low standing heat loss, insulation incorporating polyol which is derived from rapeseed oil - a fully renewable resource and a duplex stainless steel internal cylinder, the product is fully recyclable at the end of its working life.

With the Open Vented Stainless Steel Cylinder, You will also benefit from:

- Easy access to immersion heater boss
- 400mm dia models have 3/4" compressions
- 450mm x 900mm model has 3/4" compressions
- Remaining 450mm dia models have 3/4" compressions on coil and 1" on cold and hot water draw off

PLEASE NOTE:

- The twin coil range of cylinders have been specifically designed for gravity circulation and are also suitable for use on pumped systems.
- The Gravity coil performance depends upon the correct installation of the pipework connecting the heat source to the cylinder.



INDIRECT SPECIFICATION

Code	ERP Rating	Cylinder Height mm	Cylinder Dia mm	Capacity litres	Standing Heat Loss	List Price
BIOSEIE30X18IND	C	750	450	96	58	€380.26
BIOSEIE36X16IND	C	900	400	96	60	€398.58
BIOSEIE36X18IND	C	900	450	117	69	€414.87
BIOSEIE42X16IND	C	1050	400	114	67	€420.95
BIOSEIE42X18IND	C	1050	450	140	75	€485.03
BIOSEIE48X16IND	C	1200	400	132	73	€576.55
BIOSEIE48X18IND	C	1200	450	162	72	€576.55
BIOSEIE60X18IND	C	1500	450	185	82	€646.71

TWIN COIL RANGE

Code	ERP Rating	Cylinder Height mm	Cylinder Dia mm	Capacity litres	Standing Heat Loss	List Price
BIOSEIE30X18INDGRAV	C	750	450	96	58	€535.45
BIOSEIE36X18INDGRAV	C	900	450	117	69	€550.00
BIOSEIE42X18INDGRAV	C	1050	450	140	75	€605.41
BIOSEIE48X18INDGRAV	C	1200	450	162	72	€624.95
BIOSEIE60X18INDGRAV	C	1500	450	185	82	€698.69

Vented Stainless Cylinder

10
YEAR WARRANTY*



Duplex stainless steel



5/7 loop corrugated coil for maximum heat transfer



Tapping positions to BS1566 specifications



Supplied fitted with incoloy immersion



Complete with compression fittings with Irish nut and olives



Shower take-off/secondary return on all models

STANDARD RANGE

Code	ERP Rating	Cylinder Height mm	Cylinder Dia mm	Capacity litres	Standing Heat Loss	List Price
SEIE30X18IND	C	750	450	96	50	€330.26
SEIE36X16IND	C	900	400	96	52	€348.58
SEIE36X18IND	C	900	450	117	56	€364.87
SEIE42X16IND	C	1050	400	114	55	€370.95
SEIE42X18IND	C	1050	450	140	71	€435.03
SEIE48X16IND	C	1200	400	132	58	€526.55
SEIE48X18IND	C	1200	450	162	73	€526.55
SEIE60X18IND	C	1500	450	185	83	€596.71

TWIN COIL RANGE

Code	ERP Rating	Cylinder Height mm	Cylinder Dia mm	Capacity litres	Standing Heat Loss	List Price
SEIE30X18INDGRAV	C	750	450	96	50	€485.45
SEIE36X18INDGRAV	C	900	450	117	56	€500.00
SEIE42X18INDGRAV	C	1050	450	140	71	€555.41
SEIE48X18INDGRAV	C	1200	450	162	73	€574.95
SEIE60X18INDGRAV	C	1500	450	185	83	€648.69

Thermstore IE

90 120 150 180 210 250 300 400

25
YEAR WARRANTY*



Duplex stainless steel construction



New flat top & base with 20% more HCFC insulation



Rubber connection labels with retention foam



Aligned tapping positions for ease of installation



Lightweight for easy installation



Wider base for additional stability



Colour matched components



Unvented Kits supplied as standard with Thermstore Range

IDEAL THERMSTORE INDIRECT UNVENTED CYLINDER IE

Size	Reference	List Price
90L	IDIPLUIN090	€674.22
120L	IDIPLUIN120	€909.12
150L	IDIPLUIN150	€930.47
180L	IDIPLUIN180	€948.79
210L	IDIPLUIN210	€1006.76
250L	IDIPLUIN250	€1266.07
300L	IDIPLUIN300	€1394.23

IDEAL THERMSTORE TWIN COIL UNVENTED CYLINDER IE

Size	Reference	List Price
180L	IDIPLUIN180S	€1324.03
210L	IDIPLUIN210S	€1348.44
250L	IDIPLUIN250S	€1415.54
300L	IDIPLUIN300S	€1461.33
400L	IDIPLUIN400S	€2346.05

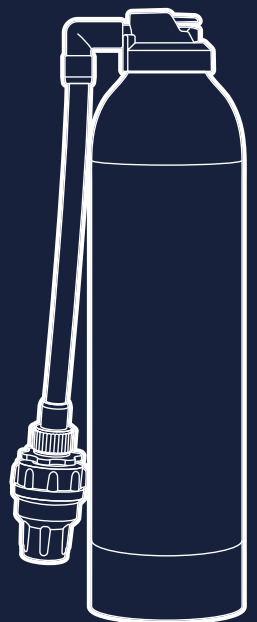
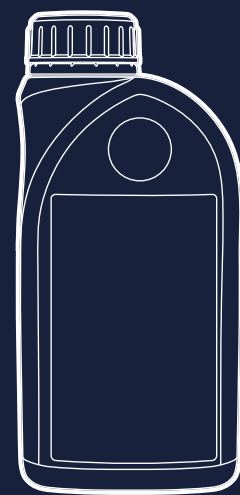
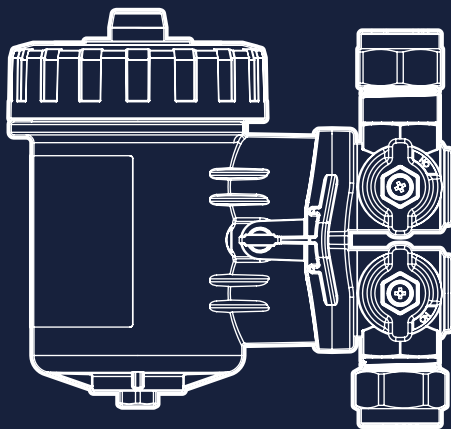
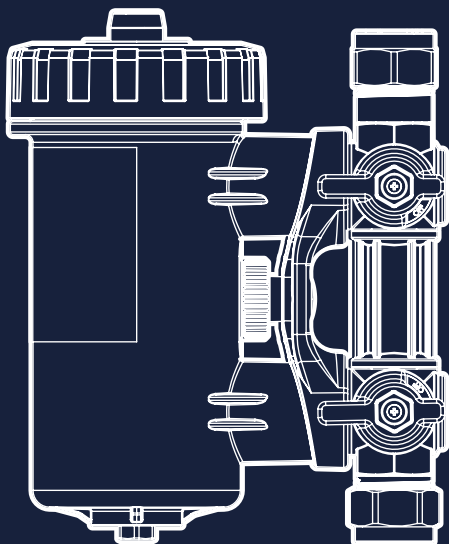
IDEAL THERMSTORE TRIPLE COIL OPEN VENTED SOLAR CYLINDER IE

Size	Reference	List Price
300L	IDIIND300TC	€1775.58
400L	IDIIND400TC	€2831.12



Made for
Ireland

Domestic Product Range



Domestic Product Range

Description	Reference	List Price
Micro 2 3/4" Filter Irish	FL1-03001274-IE	€140
Pro 2 3/4" Filter Irish	CP1-03-00653-01	€180
Pro 2XP 28mm 1" Filter	FL1-03-01357	€310
Pro 3 Sense 3/4" Filter Irish	FL1-03-03434	€300
Atom 22mm Filter	FL1-03-03779	€210
Twintech 22mm Filter	MCTT001	€250
Vibraclean Radiator Agitator	VC002	€140
Magnacleanse Kit	MACK01	€900
MC1 Protector 500ml	MC1P	€20
MC3 Cleaner 500ml	MC3C	€20
MC1+ Protector 500ml	CH1-03-01669	€30
MC3+ Cleaner 500ml	CH1-03-01670	€30
MC2 Silencer 500ml	CP1-03-00994	€20
MC4 Leak Sealer 500ml	CP1-03-00998	€20
MC5 Rapidflush System Cleaner 500ml	CP1-03-0099	€20
MC7 Biocide 500ml	CP1-03-01002	€20
MC10+ Biocide 500ml	CH1-03-03268-WE	€20
Rapide MC1+ Protector 300ml	CH1-03-01640	€40
Rapide MC3+ Cleaner 300ml	CH1-03-01645	€40
Rapide MC2+ Silencer 300ml	CH1-03-02038	€40
Rapide MC4+ Leak Sealer 300ml	CH1-03-02039	€40
Rapide MC10+ Biocide 300ml	CH-03-02040	€50
MC40 2.3kg	CH1-03-03420	€170
McZero CH Anti-Freeze 5ltr	CH1-03-00990	€70
Magnascale Compression 15mm	SR1-03-01978	€70
Electroscale Scale Reducer 15mm	SR1-03-01976	€80
Electroscale Scale Reducer 22mm	SR1-03-02794	€110
Water Testing Kit	SR1-03-00626	€80
Procheck Starter Pack (5 Tests)	CP1-03-05132-IE	€95
Procheck Refills (25 Tests)	PK2-03-05133	€210



Explorer

Heat pump cylinder



The Explorer heat pump water heater is an efficient and cost effective solution that provides hot water by using the clean energy contained in ambient air.

Description

- Suitable for new build and renovation
- Smart control learns user habits for improved comfort and energy savings
- 4 models: 200 & 270 litre capacity with or without an internal coil
- Compatible with photovoltaic (PV)
- Smart energy function selects the most efficient energy source

5* YEAR WARRANTY

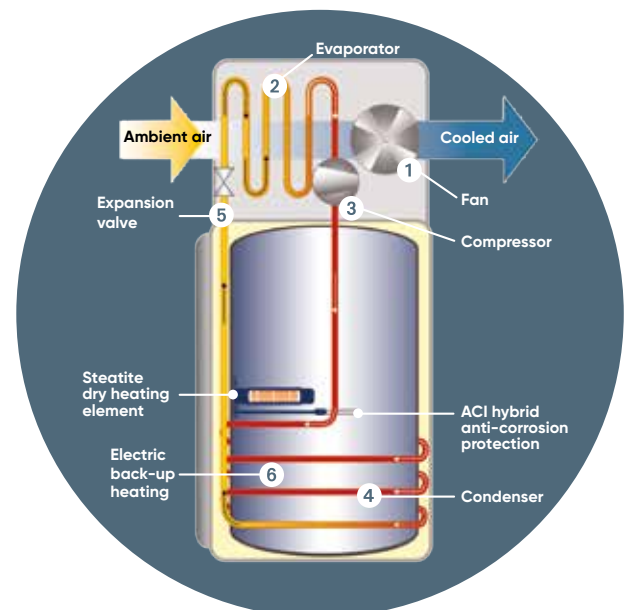


Key features

- 70% energy savings with COP of up to 3.8
- ACI hybrid anti-corrosion technology
- Wireless remote control
- Easy to install with adjustable air inlet/outlet
- Atlantic technologies: Diamond-quality enamel and Steatite technology
- Compatible with solar (photovoltaic or solar panel) and boiler systems (built-in coil)
- Large optimised coil for fast heating and a size adapted for low temperature devices
- A circulation connection to provide comfort on all point-of-use
- Adjustable feet
- Can lay on 1 side for easy transport

How does it work?

The fan 1 inhales ambient air transferring its energy to the refrigerant agent in the evaporator 2 thus changing from liquid to gas. The gas is further heated by compression 3. In the condenser 4 the gas transfers its accumulated heat to the water tank. As it gets colder it transforms back to fluid. The pressure of the fluid is further reduced by the expansion valve 5. The electric back-up heating 6 starts only when required during insufficient heat pump working conditions.



Pump Assembly

- 1 Evaporator
- 2 High efficiency heat pump with wide temperature range of use
- 3 Intuitive control panel
- 4 Diamond-quality enamel
- 5 Enamelled sleeve and Steatite heating element
- 6 Coil (1.2 m²):
 - Solar mode
 - Boiler mode
- 7 Adjustable air inlet / outlet (360°)
- 8 ACI hybrid anti-corrosion system with forced current and magnesium anode

Explorer Heat Pump Cylinder

Description	Reference	List Price
200 LTR FS Explorer Cozy 1.8kw	AH986086	€1,676.41
270 LTR FS Explorer Cozy 1.8kw	AH986087	€1,837.24
200 LTR FS Explorer Cozy 1.8kw inc. Coil	AH986088	€1,897.18
270 LTR FS Explorer Cozy 1.8kw inc. Coil	AH986089	€2,062.89

Technical Specifications	Capacity (L)			
	200 without coil	200 with coil	270 without coil	270 with coil
Product code	AH886068	AH886070	AH886069	AH886071
Dimensions (mm)	1609 x 620 x 665		1949 x 620 x 665	
Net weight without coil (kg)	85	-	93	-
Net weight with coil (kg)	-	100	-	108
Tank capacity (L)	200		270	
Electric back-up volume (L)	110		130	
Rated water pressure (bars)	8			
Electrical connection (V/Hz)	230 V [~] /50 Hz			
Maximum total power consumed by the device (W)	2 465			
Maximum power consumed by the heat pump (W)	665			
Power consumed by electric heating (W)	1 800			
Water temperature range by heat pump (°C)	50 to 62°C			
Heat pump temperature range of use (°C)	-5 to 43°C			
Refrigerant fluid R 134A (kg)	1.25		1.35	
Vacuum air flow (ambient installation) (m ³ /h)	390			
COP at 20°C* (ambient)	4.1		4.3	
COP at 7°C* (ambient)	2.79 (L profil)		2.84 (XL profil)	
Acoustic pressure at 2m (dB(A))	37			
Acoustic power (dB(A))	57			
Heating time from 15 to 51°C (ambient installation 15°C air) (H)	4h48		7h32	
Coil power (kW) primary 60°C 1000 / 1500 / 2000 L/H (kW)	15.5 / 16 / 16.4			
Coil surface (m ²)	-	1.2	-	1.2
Recirculation connection	Available for models with coil			
ERP Energy class	A+			

IED Explorer Ducting

Description	Reference	List Price
160mm - Thermal Pipework x 2mtr	SST-160-2M	€52.00
160mm - Thermal Pipework x 1mtr	SST-160-1M	€28.00
160mm - Thermal 90° Bend	SST-160-90B	€32.00
160mm - Thermal 45° Bend	SST-160-45B	€34.00
160mm - Thermal T Piece	SST-160-TP	€45.00
160mm - Thermal D - F Connector	SST-160-DFCON	€6.00
160mm - Thermal D - D Connector	SST-160-DDCON	€6.00
160mm - Thermal 160 - 150mm Adaptor	SST-160-ADAPTOR	€6.00

Why choose electric heating?

Electric heaters are 100% efficient at the point of use, meaning all electricity used is converted into heat.

Because electric heaters have virtually no moving parts, most systems can provide great longevity and reliability than alternative ways of heating.

The Energy related Product (ErP) Directive aims to reduce carbon emissions across Europe by phasing out low efficiency products, for electric heating the directive requires that local space heaters comply with the minimum efficiency standard.



Future Proofing

Electric heaters can provide a major advantage in home extensions when existing gas central heating systems lack sufficient capacity to heat additional radiators.

Here is our ErP compliant promise to you:

- ✔ Our heaters perform to a high efficiency saving you energy and money on bills.
- ✔ All heaters will include open-window detection offering additional control to save energy.
- ✔ Every heater has an integral temperature control which offers 24 hour and 7 day timers.
- ✔ Users can benefit from additional smart functions from distance heating control and monitoring via the Cozytouch app.



Electric Heating

Electricity is increasingly being produced from renewable sources reducing the level of carbon intensity. Thermal losses and associated energy consumption have considerably reduced as a result of improvements to the fabric of buildings. Electric heating provides a solution that is 100% efficient at the point of use where every kWh paid for is converted into heat. Electric heating can be controlled with a higher degree of accuracy than other systems offering room by room control which can react quickly to supplementary heat gains, electric heating requires almost no annual maintenance whilst offering greater reliability and a lower capital installation cost.

Convected heat

Convected heat is carried around a room in the form of heated air. Air is drawn across a heating element inside the electrical heater and circulated into the room. Heated air is lighter and diffuses the colder air which is denser and raises the ambient temperature. The hotter the electric heater's heating element, the further the convected heat will flow before diffusing into the air.

Building Regulations

Building Regulations Approved Document Part L demands that appropriate steps are taken for the conservation of energy by limiting heat loss and heat gain through the material of a home as well as addressing the efficiency of heating, lighting and ventilation. Part L1A applies to the conservation of fuel and power in new dwellings in England.

Part L1B applies to conservation of fuel and power in existing dwellings in England. Part L1A requires that reasonable provision is made for the conservation of fuel and power in buildings by limiting heat gains and losses through thermal elements and other parts of the building fabric and providing fixed building services that are energy efficient and have effective controls to ensure they use no more power than is reasonable in the circumstances.

Radiant heat

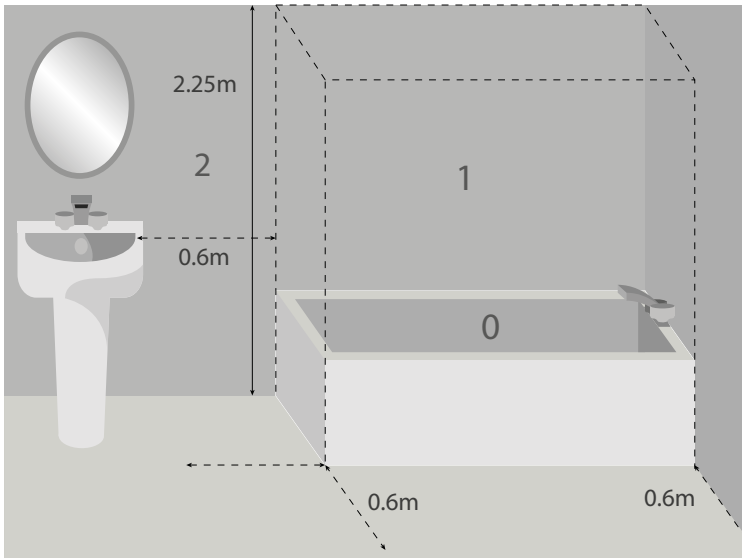
Unlike convected heat, radiant heat does not rely on the direct heating of air. It relies instead on electromagnetic infrared waves which transfer the energy and release it as heat once it strikes an object. It's this type of heat we get from the sun and an open flame.

Safety

Because electric heaters do not burn fuel internally to generate heat, there are none of the associated risks such as carbon monoxide poisoning. This gives electric heaters a greater margin of safety over conventional central heating systems and there is no requirement for an annual safety certificate.

Cost

Electric heating and hot water solutions can be a preferred choice amongst housing professionals in certain installations such as flats and apartments due to lower capital costs, faster installation times and system layout flexibilities when compared to conventional heating systems. It is entirely suited to second stage fixing in new builds or for renovations with minimal disruption relying only on a simple connection to the electrical circuits. An electric heater can be installed in matter of minutes and can be operated independently or as part of a heating system.



Safety is paramount when using electrical equipment in bathrooms and wet areas. The NICEIC Wiring Regulations (17th Edition) identifies particular zones within the bathroom to indicate what type of electrical equipment can be installed. The regulations state that electric appliances installed inside Zones 1 and 2 must have a rating of IPX4 (see bathroom illustration). Atlantic products have a rating of IPX4 or greater.

Bathroom zones are identified from 0 to 2, with 0 being the wettest. The former Zone 3 is now undefined. Any electrical item approved for use in a zone may be used in another zone with a higher number but not in a lower number zone.

A bathroom heater must comply with ErP regulations.

Zone 0

The interior of a bath or shower which can hold water.

Requires low voltage (max 12V) electrical products and to be IPX7 (the mechanical protection is unimportant).

Zone 1

The area directly above Zone 0 limited vertically to 2.25m above the bottom of the bath or shower.

Requires electrical products to be IPX4 or better, or Safety Extra Low Voltage (SELV) with the transformer located beyond Zone 2. If the fitting is 240v, a 30mA RCD must protect the circuit.

Zone 2

The area beyond Zones 0 and 1, 0.6m horizontally and 2.25m vertically.

Zone 2 also included any window with a sill next to the bath. Requires electrical products to be IPX4 or better, or SELV with the transformer located beyond Zone 2.

Zone 3

The area beyond Zone 2 previously referred to Zone 3 is now undefined.

When a bathroom extends 3 metres beyond Zone 1, portable equipment is permitted. Any socket used for this portable equipment must be protected by a 30mA RCD.



IP rating

IP stands for Ingress Protection and are ratings that define the levels of sealing effectiveness of electrical equipment against moisture and foreign bodies, such as dirt and dust.

Each IP rating is defined by two numbers (e.g. XY) which have a specific meaning. The first number (X) indicates the level of mechanical protection and the second number (Y) defines the level of moisture protection. In both cases, the higher the number, the better the protection. If an item of electrical equipment is not IP rated, it must not be used in Zones 0, 1 or 2.

Typical electrical items which are marked with IP numbers include heaters, extractor fans, lighting, shower pumps and electric showers. Most Atlantic electrical products have a rating of IP24.



Pilot wire

Many Atlantic products have a pilot wire. This is a black insulated lead in the mains cable which is used for signalling or switching when connected to a suitable GIFAM compatible pilot wire controller (ErP compliant). This wire must not be connected to earth.

Double insulated

Atlantic products are double insulated (Class II). Products are designed in such a way so as not to require a safety connection to earth. These products must not have a safety connection to earth.

Product reliability

The CE mark is the manufacturer's declaration to appropriate enforcement authorities that the product complies with all relevant European directives, such as the Low Voltage Directive for Safety and the Electromagnetic Compatibility Directive for Radio Interference and ErP. Atlantic Heat products comply with the European Directive and carry the CE mark.

F127

Electric Panel convector



Description

- 500 to 2000 kW
- Built in energy saving features
- Manual or Programmed
- Open window detection
- Colour: RAL9016 White



The F127 is an active heat convector with easy to use controls that is suitable for a range of applications. The F127 allows 24 hour, 7 days a week programming to cover a multitude of situations. With it's simple design and easy fixing it's perfect for anything from a single, to high volume installations.



Key features

Open window detection

2 modes: Manual/Programmable 24 hour 7 day timer

High-precision electronic thermostat

Ergonomic LCD digital controls

Up to 25% energy savings*

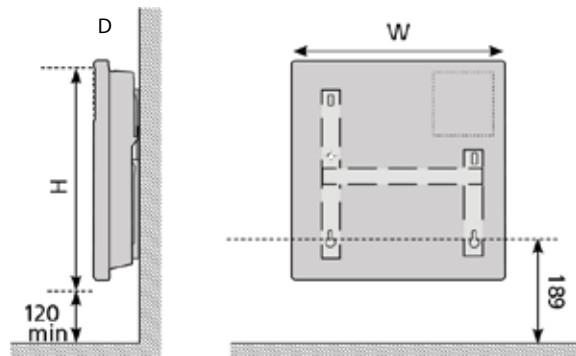
Sheathed heating element with an aluminium diffuser (safe, silent and long-lasting)

Automatic over heat safety device

Front air outlet wings

Class II and IP24 protection with dual electric insulation for ultimate safety

Dimensions

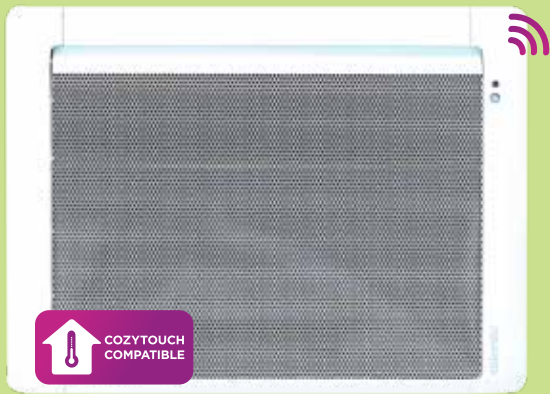


F127 Price List

Output (W)	Depth (mm)	Width (mm)	Height (mm)	Weight (Kg)	Reference	List Price
500	102	370	453	3.8	AH500101	€112.63
750	102	370	453	3.8	AH500106	€116,14
1000	102	447	453	4.2	AH500103	€119.66
1250	102	517	453	4.4	AH500107	€123.17
1500	102	590	453	5.5	AH500104	€139.61
2000	102	740	453	6.8	AH500105	€141.95

Tatou

Radiant panel heater



Description

- 2 models: 500 to 2000 W
- Built in energy saving features
- Smart control functionality
- Cozytouch compatible
- Colour: RAL9016 White



*Requires additional CozyTouch bridge



Key features

Smart control functions learning and adapting the energy consumption to the user's lifestyle

Open window detection

6-command pilot wire: Comfort, Comfort-1°C, Comfort - 2°C, Eco, Frost-free, Off

High-precision electronic thermostat

Digital display unit

Extensive heat panel with sensors, aluminium heating element

Consumption indicator for responsible, informed use of the equipment

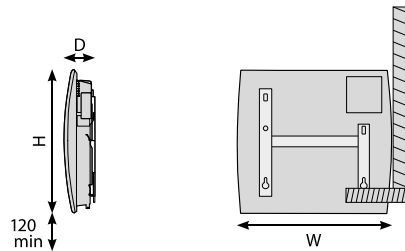
Easy to install: H-shaped vertical support, which can also be used as an installation template

ASP (Anti-Staining Process) to reduce staining on wall and on equipment

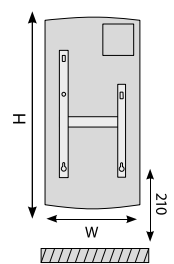
Far Reaching Infra Red (FRIR) technology

Standard and vertical to adapt to the customer's rooms

Tatou Digital



Tatou Vertical



Tatou Price List

Output (W)	Depth (mm)	Width (mm)	Height (mm)	Weight (Kg)	Reference	List Price
500	120	465	470	4.3	AH566205	€236.02
750	120	540	470	4.9	AH566207	€239.66
1000	120	615	470	5.5	AH566210	€248.16
1250	120	765	470	6.2	AH566212	€277.28
1500	120	840	470	7.1	AH566215	€282.14
2000	120	1060	470	10	AH566220	€316.11

Tatou Digital Vertical

1000	135	470	775	7.2	AH666410	€328.90
1500	135	470	995	9.3	AH666415	€358.57
2000	135	470	1220	11.3	AH666420	€387.37

* Compared to a mechanical convector

Timelis

Electric towel dryer



2 YEAR WARRANTY

Key features

€ 25% energy savings* through integrated programming

Digital electronic thermostat

IP24 rated

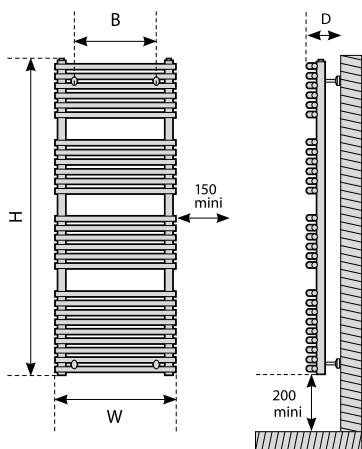
ErP compliant Towel Warmer



The Timelis towel drier uses thermofluid technology and has been designed for comfort and simplicity. Timelis features a remote control with integrated programming, an integral, adjustable thermostat with eco and comfort modes, a two-hour boost override and a push button set function.

* Compared to a mechanical convector

Dimensions



Timelis Price List

Output (W)	Depth (mm)	Width (mm)	Height (mm)	Weight (Kg)	Reference	List Price
300	110	555	984	19	AH952103	€368.70
500	110	555	1374	25	AH952105	€399.24



Remote control

Accessio

Electric thermofluid radiator



2 YEAR WARRANTY



The Accessio is an easy to use electric, heat conducting fluid-filled radiator that delivers homogeneous long-lasting heat as a result of integral thermofluid technology. Not only that, user friendly digital controls and an electronic thermostat can help homeowners achieve energy savings of up to 25% versus conventional electric heating solutions.*



Description

- 300 to 2000W
- Built in energy saving features
- User friendly
- Manual or Programmed
- Colour: RAL9016 White



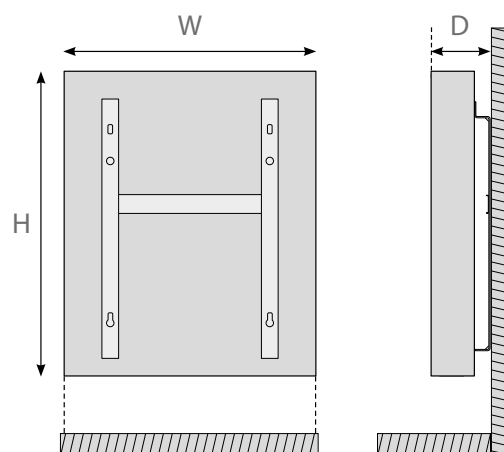
* Compared to a mechanical convector



Key features

- Open window detection
- 2 modes: Manual/Prog 24hour 7 day timer
- 6-command pilot wire: Comfort, Comfort -1°C, Comfort -2°C, Eco, Frost-free, Off
- High-precision electronic thermostat
- Up to 25% energy savings* through accurate digital control and programming
- Thermofluid technology providing homogeneous & long-lasting heat, and no dry air
- ASP (Anti-Staining Process) to reduce staining on wall and on equipment

Dimensions



Accessio Price List

Output (W)	Depth (mm)	Width (mm)	Height (mm)	Weight (Kg)	Reference	List Price
300	127	410	575	8.5	AH524903	€242.70
500	127	410	575	8.5	AH524905	€266.97
750	127	490	575	9.9	AH524907	€303.37
1000	127	490	575	9.9	AH524910	€351.91
1250	127	651	575	13.2	AH524912	€400.45
1500	127	732	575	14.8	AH524915	€424.72
2000	127	973	575	19.7	AH524920	€485.40



The Agilia IO takes the smart features of the Agilia Digital and adds Cozytouch compatibility allowing the user to control these features through their smartphone*. With integrated absence and presence detectors, the Agilia IO adapts to your lifestyle and, even in it's stylish and compact form. It can also heat up quickly thanks to it's double heating element.



Description

- 500 to 2000W
- Built in energy saving features
- Smart control functionality
- Colour: RAL9016 White





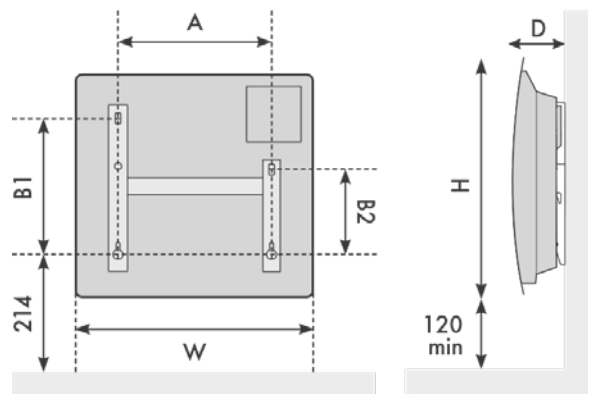

*Requires additional CozyTouch bridge



Key features

- Open window detection
- Absence & Presence detection
- 3 programming modes manual, prog, (24 hour 7 day timer) and IO
- High-Precision Electronic thermostat
- Digital screen, LCD digital controls
- Stylish electric radiator with double heating element for fast heating
- Energy consumption indicator
- IP24 rated
- Lock function

Dimensions

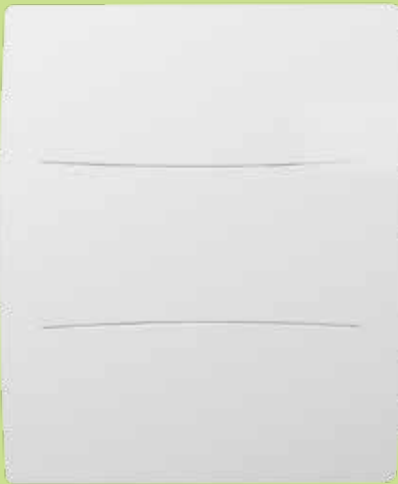


Agilia Price List

Output (W)	Depth (mm)	Width (mm)	Height (mm)	A	B1	B2	Weight (Kg)	Reference	List Price
750	129	372	530	120.8	246	158.5	5.5	AH503105	€231.78
750	129	372	530	120.8	246	158.5	5.5	AH503107	€240.27
1000	129	446	530	194.8	246	158.5	6	AH503110	€252.41
1250	129	520	530	268.8	246	158.5	7.5	AH503117	€265.15
1500	138	594	530	342.8	246	158.5	9	AH503115	€283.96
2000	138	742	530	490.8	246	158.5	9	AH503120	€308.83

Agilia Digital

Electric radiator



Description

- 500 to 2000W
- Built in energy saving features
- Colour: RAL9016 White



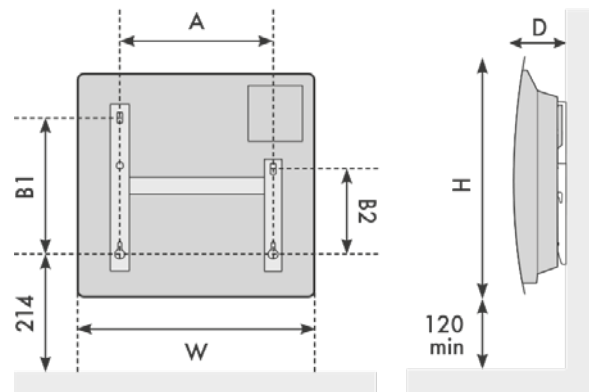
The Agilia Digital is a compact radiator in a stylish design with a double heating element for fast warm up and homogeneous heating. The Agilia Digital can be used in basic mode, which allows for easy control and gives flexibility to the user ensuring the heating is right for them. Alternatively use the Agilia in programmed mode with the user set times and temperatures.



Key features

- Open window detection
- 2 program modes 24 hour 7 day timer
- High-Precision Electronic thermostat
- Digital screen, LCD digital controls
- Stylish electric radiator with double heating element for fast heating
- Energy consumption indicator
- Anti frost comfort and eco functions
- Lock function

Dimensions



Agilia Digital Price List

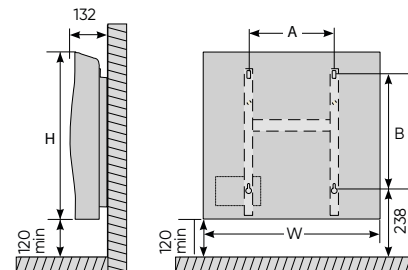
Output (W)	Depth (mm)	Width (mm)	Height (mm)	A	B1	B2	Weight (Kg)	Reference	List Price
500	129	372	530	120.8	246	158.5	5.5	AH503205	€196.59
750	129	372	530	120.8	246	158.5	5.5	AH503207	€204.47
1000	129	446	530	194.8	246	158.5	6	AH503210	€214.79
1250	129	520	530	268.8	246	158.5	7.5	AH503212	€228.74
1500	138	594	530	342.8	246	158.5	9	AH503215	€244.52
2000	138	742	530	490.8	246	158.5	9	AH503220	€256.05

Galapagos Range

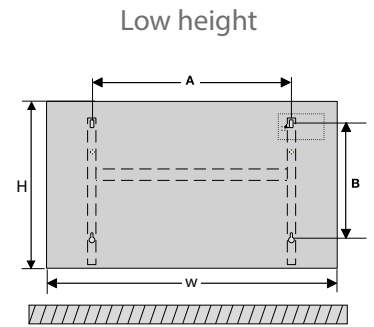
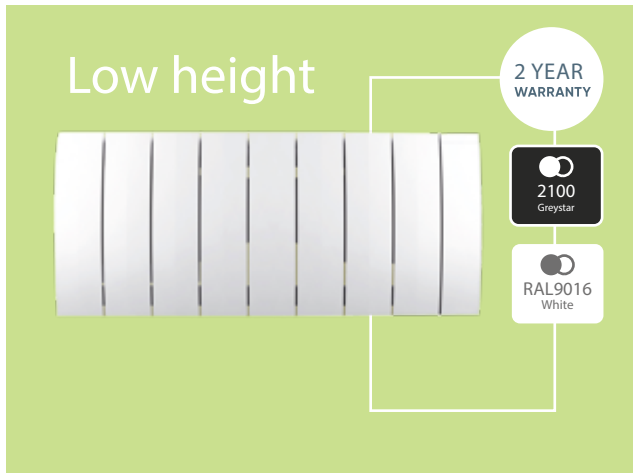
Electric thermofluid radiator



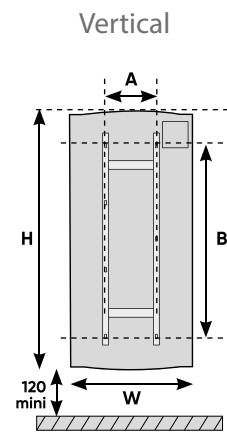
Standard



Output (W)	Depth (mm)	Width (mm)	Height (mm)	Weight (Kg)	A	B	Reference White	List Price	Reference Greystar	List Price
750	130	670	590	12.4	300	354	AH500607	€339.78	AH501845	€430.79
1000	130	770	590	14.4	400	354	AH500610	€382.25	AH501846	€485.40
1250	130	970	590	18.4	600	354	AH500612	€430.79	AH501847	€546.07
1500	130	1070	590	20.4	700	354	AH500615	€485.40	AH501848	€606.74
2000	130	1370	590	26.4	800	354	AH500620	€546.07	AH501849	€667.42



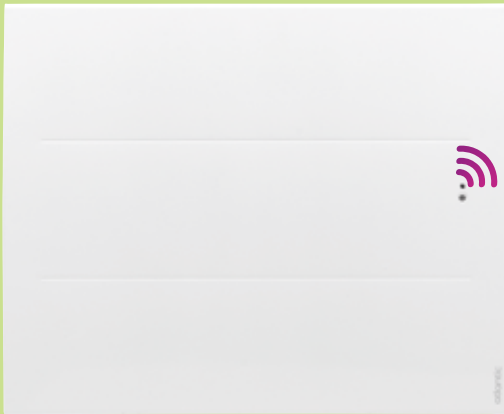
Output (W)	Depth (mm)	Width (mm)	Height (mm)	Weight (Kg)	A	B	Reference White	List Price	Reference Greystar	List Price
700	133	771	388	11	400	158	AH502907	€400.45	AH501853	€546.07
1000	133	971	388	15	600	158	AH502910	€424.72	AH501854	€606.74
1400	133	1371	388	21	800	158	AH502915	€485.40	AH501855	€667.42



Output (W)	Depth (mm)	Width (mm)	Height (mm)	Weight (Kg)	A	B	Reference White	List Price	Reference Greystar	List Price
1000	133	460	1290	24	320	1021	AH501310	€546.07	AH501850	€606.74
1500	133	460	1590	29	320	1321	AH501315	€606.74	AH501851	€667.42
1800	133	460	1800	33	320	1521	AH501320	€667.42	AH501852	€728.09

Oniris

Electric radiator



The Oniris is a very stylish, digital, electric panel heater featuring a modern aluminum surface and heating element for warmth with style. Complete with occupancy detection, which automatically reduces heat if the room is empty, and open window detection that will switch the heater to a minimum output.

Description

- 750 to 2000W
- Built in energy saving features
- Smart control functionality
- Compatible with CozyTouch
- Colour: RAL9016 White

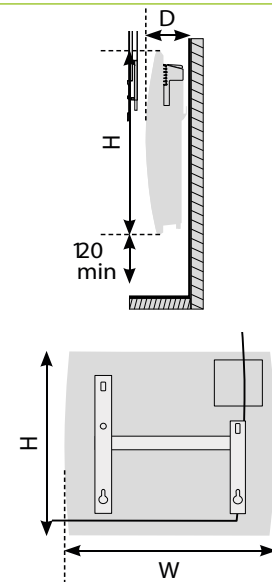


*Requires additional CozyTouch bridge



In built smart control function tracks the user's requirements and room occupancy, adapting heating to comfort or eco mode accordingly (AUTO mode)
 Open window detection
 Presence / absence detection feature – will automatically reduce heat if room is empty
 3 programming modes manual, prog, (24 hour 7 day timer) and IO
 High-precision electronic thermostat
 45% of radiant heating, faster warm up
 Aluminium heating element with additional heating film
 Consumption indicator for supreme energy efficiency
 IP24 rated

Dimensions



Oniris Price List

Output (W)	Depth (mm)	Width (mm)	Height (mm)	Weight (Kg)	Reference	List Price
750	110	613	615	10.8	AH503907	€349.65
1000	110	761	615	13	AH503910	€367.91
1250	110	909	615	15.4	AH503912	€384.92
1500	110	1058	615	18	AH503915	€436.37
2000	110	1205	615	20.4	AH503920	€494.98

A simple move and the panel heater takes care of everything. With the Smart Pilot function, the appliance automatically adapts to the user's lifestyle, to deliver optimum comfort and maximum energy savings.

Memorises the user's lifestyle

Identifies, analyses & memorises presence periods.

Anticipates heating

According to the user's lifestyle, ensuring that the room is already at the right temperature upon arrival.

Adapts to unforeseen events

Identifies, analyses & memorises presence periods.

Auto & dynamic programming

Automatically, the light & movement sensor adjusts the program to your presence / activity in the dwelling for each day.

Warm-Up time auto calculation

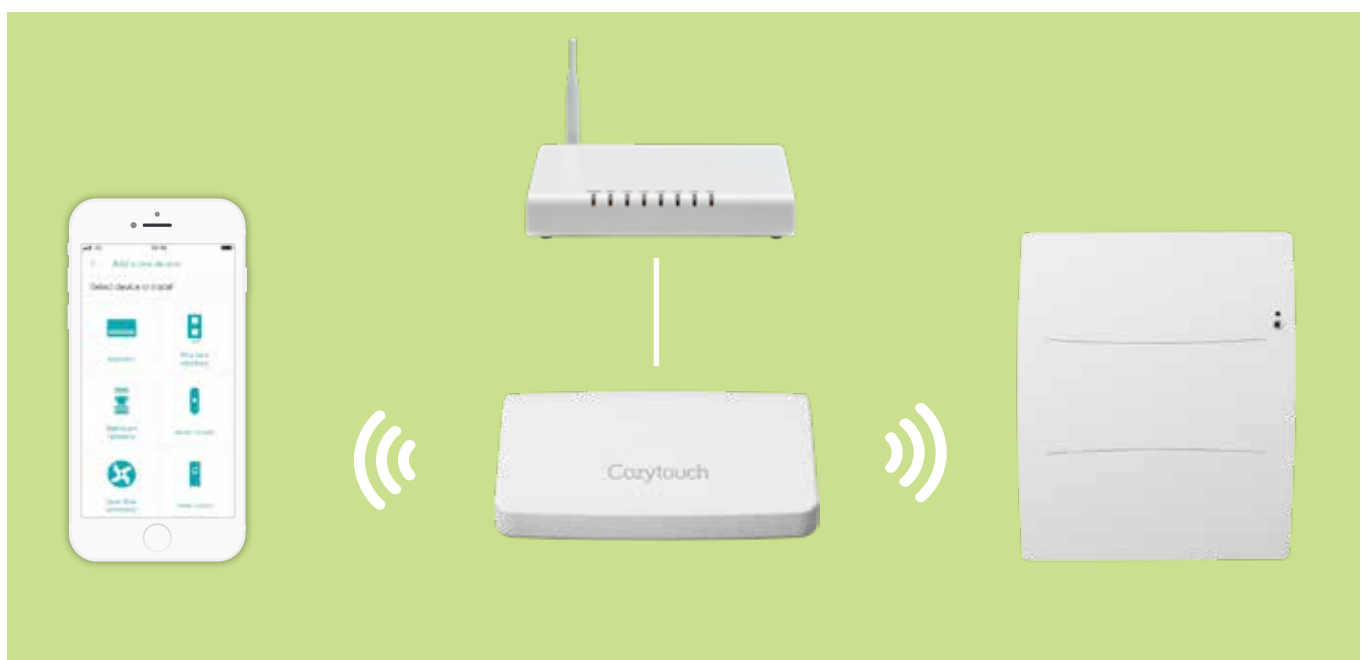
The radiator will calculate how long it takes to warm the room where it is installed. Default value is 90 mins and can be adjusted for from either 20mins to 3 hours.

IO Home control allows pairing of two or more heaters allowing greater comfort in your home

Pair heaters in the same room or on each floor to give greater control of your heating

Combined smart functionality - once paired, if a device in the group detects an open window, the other paired products react accordingly saving you energy


Couple IO Home control with the Cozytouch device to control your home remotely room by room, panel by panel



Cozytouch



Key features

-  Bridge allows control of connected Atlantic products
-  LED indicator
-  Connects to internet router via supplied ethernet cable
-  User account required (on set up)
-  Prog/Prog reset button
-  Power supply lead included



Cozytouch allows you to control your heating remotely from your phone or tablet. Offering real-time monitoring such as energy consumption, absence detection and open window detection, Cozytouch means you can set the temperatures you want for when you want them.

Technical data

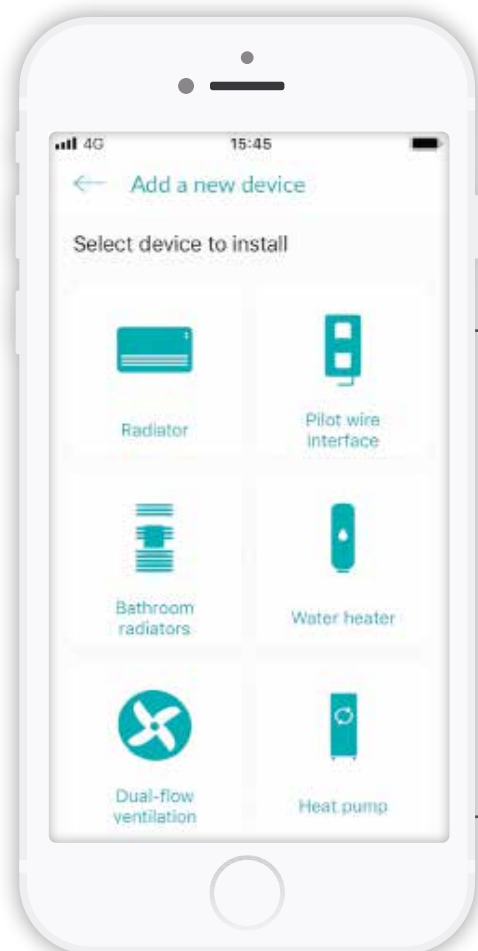
DEPTH (MM)	WIDTH (MM)	HEIGHT (MM)	MODEL
110	71	28	AH001231

Cozytouch requires internet connection



Cozytouch

APP AVAILABLE
TO DOWNLOAD
FOR FREE!



Here are just a few of the features of the Cozytouch smart app:



Real time monitoring



Absence detection



Daily energy management



Synchronize temperatures



Open window detection



Control individual or multiple paired devices

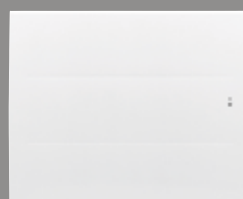
Compatible with*



Agilia IO



Tatou



Oniris



Galapagos

*Pairing function available on all IO

Cozytouch Price List

Depth (mm)	Width (mm)	Height (mm)	Reference	List Price
110	71	28	AH001231	€151.69



WE BELIEVE
IN MARKET LEADING
WARRANTIES





Steel Radiator Collection



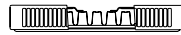
IDEAL COMPACT



Δt_{50}

(75/65/20°C)

K1



K2



Height mm	Length mm	Ideal UIN	K1			K2			
			Heat output Watts	Heat output Btu/hr	List Price	Heat output Watts	Heat output Btu/hr	List Price	
300	500	43301105	255	870	€30.31	43302205	491	1676	€49.84
	600	-	-	-	-	43302206	589	2010	€57.36
	800	-	-	-	-	43302208	786	2682	€70.96
	1000	43301110	509	1737	€48.17	43302210	982	3352	€84.89
	1200	-	-	-	-	43302212	1178	4019	€100.64
	1400	-	-	-	-	43302214	1375	4692	€114.30
	1500	43301115	764	2607	€62.66	43302215	1473	5027	€115.29
	1600	-	-	-	-	43302216	1571	5360	€127.51
	1800	-	-	-	-	43302218	1768	6032	€133.08
	2000	43301120	1018	3473	€79.66	43302220	1964	6703	€155.89
	2500	-	-	-	-	43302225	2455	8379	€184.89
3000	-	-	-	-	43302230	2946	10055	€233.59	
400	400	-	-	-	-	43402204	498	1699	€41.26
	500	-	-	-	-	43402205	623	2126	€50.56
	600	-	-	-	-	43402206	747	2549	€58.24
	700	-	-	-	-	43402207	872	2975	€64.38
	800	-	-	-	-	43402208	996	3398	€70.49
	900	-	-	-	-	43402209	1121	3825	€77.22
	1000	-	-	-	-	43402210	1245	4248	€84.38
	1100	-	-	-	-	43402211	1370	4674	€92.09
	1200	-	-	-	-	43402212	1494	5098	€99.98
	1400	-	-	-	-	43402214	1743	5947	€113.01
	1600	-	-	-	-	43402216	1992	6797	€125.56
	1800	-	-	-	-	43402218	2241	7646	€138.50
	2000	-	-	-	-	43402220	2490	8496	€149.37
	500	400	43501104	333	1137	€33.35	43502204	605	2065
500		43501105	416	1421	€39.97	43502205	757	2581	€65.17
600		43501106	500	1705	€43.89	43502206	908	3097	€75.19
700		43501107	583	1990	€49.98	43502207	1059	3614	€83.18
800		43501108	666	2274	€54.28	43502208	1210	4130	€91.00
900		43501109	749	2558	€58.85	43502209	1362	4646	€99.74
1000		43501110	833	2842	€63.24	43502210	1513	5162	€108.95
1100		43501111	916	3126	€68.43	43502211	1664	5679	€118.90
1200		43501112	999	3411	€72.72	43502212	1816	6195	€129.10
1300		43501113	1083	3695	€78.41	43502213	1967	6711	€138.15
1400		43501114	1166	3979	€82.34	43502214	2118	7227	€145.89
1500		43501115	1249	4263	€86.09	43502215	2270	7744	€155.04
1600		43501116	1332	4548	€89.83	43502216	2421	8260	€162.20
1800		43501118	1499	5116	€99.29	43502218	2723	9292	€178.86
2000	43501120	1666	5684	€108.04	43502220	3026	10325	€192.84	
600	300	43601103	294	1003	€64.35	-	-	-	-
	400	43601104	392	1338	€40.33	43602204	699	2384	€63.02
	500	43601105	490	1672	€45.16	43602205	874	2980	€74.92
	600	43601106	588	2006	€50.20	43602206	1048	3576	€86.59
	700	43601107	686	2341	€55.63	43602207	1223	4173	€96.60
	800	43601108	784	2675	€60.66	43602208	1398	4769	€109.06
	900	43601109	882	3009	€65.76	43602209	1572	5365	€115.83
	1000	43601110	980	3344	€71.11	43602210	1747	5961	€129.56
	1100	43601111	1078	3678	€75.42	43602211	1922	6557	€142.36
	1200	43601112	1176	4013	€80.07	43602212	2096	7153	€151.01
	1400	43601114	1372	4681	€90.75	43602214	2446	8345	€168.15
	1600	43601116	1568	5350	€102.84	43602216	2795	9537	€179.83
	1800	43601118	1764	6019	€115.27	43602218	3145	10729	€198.97
	2000	43601120	1960	6688	€127.00	43602220	3494	11922	€219.64
700	400	43701104	447	1525	€46.71	43702204	784	2676	€67.89
	600	43701106	670	2286	€60.74	43702206	1177	4017	€91.42
	800	43701108	894	3050	€74.52	43702208	1569	5355	€118.70
	1000	43701110	1117	3811	€89.61	43702210	1961	6693	€141.38
	1100	-	-	-	-	43702211	2157	7362	€154.04
	1200	43701112	1340	4572	€99.96	43702212	2353	8031	€160.49
	1400	43701114	1564	5336	€111.55	43702214	2745	9369	€181.43
	1600	43701116	1787	6097	€126.36	43702216	3138	10710	€203.67
	1800	43701118	2011	6862	€141.95	43702218	3530	12048	€225.86
	2000	43701120	2234	7622	€157.73	43702220	3922	13386	€245.72



Δt_{50} is the UK and Ireland's industry standard for heating outputs, which has an operating temperature of 75/65/20°C.

If you have a low temperature heat source you may wish to consider Δt_{40} or Δt_{30} output (see your installer or system designer).



Δt 50

(75/65/20°C)

K1



K2



Height mm	Length mm	Ideal UIN	K1			K2			
			Watts	Heat output Btu/h	List Price	Watts	Heat output Btu/h	List Price	
300	500	44301105	235	802	€67.75	44302205	465	1587	€100.99
	1000	44301110	469	1601	€110.55	44302210	929	3171	€175.72
	1500	44301115	704	2401	€157.25	44302215	1394	4756	€269.99
450	400	44451104	268	915	€69.17	44452204	500	1705	€109.89
	600	44451106	403	1376	€80.71	44452206	750	2559	€141.30
	800	44451108	537	1834	€107.60	44452208	999	3410	€163.25
	1000	44451110	672	2292	€134.47	44452210	1249	4262	€188.38
	1200	44451112	806	2751	€161.36	44452212	1499	5114	€226.08
	1400	44451114	941	3209	€188.30	44452214	1749	5967	€291.21
	1600	44451116	1075	3668	€215.19	44452216	1999	6819	€332.81
	1800	44451118	1209	4126	€262.83	44452218	2248	7672	€374.45
600	400	44601104	348	1188	€75.43	44602204	640	2184	€119.89
	600	44601106	522	1782	€88.05	44602206	961	3280	€154.12
	800	44601108	696	2375	€117.37	44602208	1281	4372	€178.13
	1000	44601110	870	2969	€146.71	44602210	1601	5464	€205.53
	1200	44601112	1044	3563	€176.04	44602212	1921	6556	€246.62
	1400	44601114	1218	4157	€205.40	44602214	2242	7649	€317.71
	1600	44601116	1392	4751	€234.76	44602216	2563	8744	€363.08
	1800	44601118	1566	5345	€286.69	44602218	2883	9836	€408.45
	2000	44601120	1740	5939	€294.09	44602220	3203	10928	€625.13

Δt 50 is the UK and Ireland's industry standard for heating outputs, which has an operating temperature of 75/65/20°C. If you have a low temperature heat source you may wish to consider Δt 40 or Δt 30 output (see your installer or system designer).





IDEAL DECO CONCEPT



Δt 50

(75/65/20°C)

K1



K2



Height mm	Length mm	Ideal UIN	Heat output		List Price	Ideal UIN	Heat output		List Price
			Watts	Btu/h			Watts	Btu/h	
600	400	45601104	348	1187	€217.36	45602204	640	2184	€262.46
	600	45601106	522	1781	€230.14	45602206	961	3279	€297.18
	800	45601108	696	2375	€259.88	45602208	1281	4371	€321.51
	1000	45601110	870	2968	€289.64	45602210	1601	5463	€349.31
	1200	45601112	1044	3562	€319.41	45602212	1921	6554	€390.96
	1400	45601114	1218	4156	€349.16	45602214	2241	7646	€463.07

Δt 50 is the UK and Ireland's industry standard for heating outputs, which has an operating temperature of 75/65/20°C. If you have a low temperature heat source you may wish to consider Δt 40 or Δt 30 output (see your installer or system designer).

IDEAL DECO CONCEPT COMES IN RAL: A7016 ANTHRACITE GREY AND IS AVAILABLE FROM STOCK.



A7016 Anthracite Grey





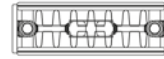
IDEAL DECO VERTICAL



Δt 50

(75/65/20°C)

K2



Height mm	Length mm	Sections	Ideal UIN	Watts	Heat output Btu/hr	List Price
1800	400	12	46182204	1476	5036	€406.19
	500	15	46182205	1845	6295	€445.92
	600	18	46182206	2214	7554	€487.90

Δt 50 is the UK and Ireland's industry standard for heating outputs, which has an operating temperature of 75/65/20°C. If you have a low temperature heat source you may wish to consider Δt 40 or Δt 30 output (see your installer or system designer).





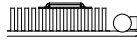
IDEAL CONCORD PLANE



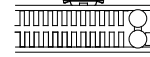
$\Delta t 50$

(75/65/20°C)

SINGLE



DOUBLE



Height mm	Length mm	Elements	Ideal UIN	SINGLE			DOUBLE			
				Watts	Heat output Btu/hr	List Price	Ideal UIN	Watts	Heat output Btu/hr	List Price
444	500	6	648346	392	1338	€254.36	648397	685	2337	€446.48
	600	6	648347	470	1604	€265.21	648398	821	2801	€454.60
	700	6	648348	549	1873	€278.75	648399	958	3269	€487.07
	800	6	648349	627	2139	€292.24	648400	1095	3736	€519.55
	900	6	648350	706	2409	€297.73	648401	1232	4204	€543.92
	1000	6	648351	784	2675	€303.07	648402	1369	4671	€568.26
	1100	6	648352	862	2941	€324.70	648403	1506	5139	€608.83
	1200	6	648353	941	3211	€351.78	648404	1643	5606	€649.43
	1400	6	648354	1098	3747	€365.28	648405	1917	6541	€676.52
592	500	8	648363	501	1709	€297.73	648414	849	2897	€541.14
	600	8	648364	601	2051	€316.60	648415	1018	3474	€568.26
	700	8	648365	701	2392	€322.03	648416	1188	4054	€595.31
	800	8	648366	802	2737	€324.70	648417	1358	4634	€622.39
	900	8	648367	902	3078	€338.25	648418	1527	5210	€662.95
	1000	8	648368	1002	3419	€351.78	648419	1697	5790	€709.00
	1100	8	648369	1102	3760	€378.87	648420	1867	6370	€757.71
	1200	8	648370	1202	4101	€400.51	648421	2036	6947	€811.80
	1400	8	648371	1403	4787	€413.99	648422	2376	8107	€860.44

$\Delta t 50$ is the UK and Ireland's industry standard for heating outputs, which has an operating temperature of 75/65/20°C. If you have a low temperature heat source you may wish to consider $\Delta t 40$ or $\Delta t 30$ output (see your installer or system designer).





IDEAL CONCORD VERTICAL



Δt 50

(75/65/20°C)

Height mm	Length mm	Elements	SINGLE			DOUBLE				
			Ideal UIN	Heat output Watts	Btu/hr	List Price	Ideal UIN	Heat output Watts	Btu/hr	List Price
1800	444	6	648340	852	2907	€413.99	648640	1254	4279	€745.15
	592	8	648341	1136	3876	€462.76	648641	1672	5705	€856.07
	740	10	648342	1420	4845	€535.80	648642	2090	7131	€1,018.00
2000	444	6	648343	942	3214	€432.92	648643	1386	4729	€822.56
	592	8	648344	1256	4286	€481.68	648644	1848	6306	€915.17
	740	10	648345	1570	5357	€554.71	648645	2310	7882	€1,081.65

Δt 50 is the UK and Ireland's industry standard for heating outputs, which has an operating temperature of 75/65/20°C. If you have a low temperature heat source you may wish to consider Δt 40 or Δt 30 output (see your installer or system designer).



Ideal Concord Vertical Double





IDEAL CONCORD SLIMLINE VERTICAL



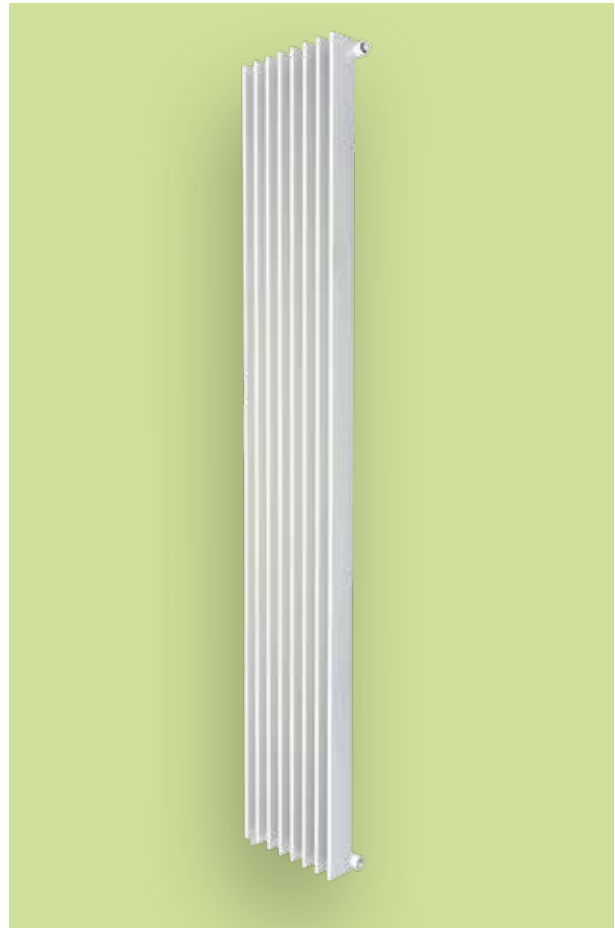
$\Delta t 50$

(75/65/20°C)

Height mm	Length mm	Elements	Ideal UIN	Heat output		List Price
				Watts	Btu/hr	
1800	320	8	648300	872	2975	€443.77
	440	11	648301	1199	4091	€595.31
	520	13	648302	1417	4835	€662.95
	640	16	648303	1744	5951	€811.80
2000	320	8	648304	978	3337	€457.32
	440	11	648305	1344	4586	€608.83
	520	13	648306	1589	5422	€681.90
	640	16	648307	1956	6674	€841.59

$\Delta t 50$ is the UK and Ireland's industry standard for heating outputs, which has an operating temperature of 75/65/20°C.

If you have a low temperature heat source you may wish to consider $\Delta t 40$ or $\Delta t 30$ output (see your installer or system designer).



Keston

BY IDEAL HEATING

TWIN FLUE TECHNOLOGY EXPERTS

DESIGNED TO GO THE DISTANCE



With Keston, your boiler can be situated any room, any place, anywhere – no compromise.

WHERE I DON'T WANT THE BOILER IN SIGHT



WHERE THERE IS A LONG DISTANCE FROM BOILER TO OUTLET

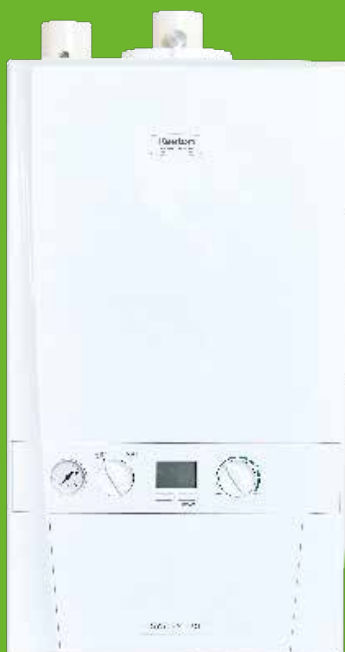


The benefits of the unique Keston flue systems make every installation easier. With Keston everything is possible

TWIN FLUE SYSTEMS

A low cost, small diameter (50mm) muPVC (PVC-C) pipe (Marley, Polypipe 2000 System, Polypipe Terrain 200 and Wavin Osma systems only) is the only item required for use with the innovative Keston flue and air intake system. This is readily available from your local merchant at a fraction of the cost of concentric flue.

The Keston flue system makes every job easier. To give you maximum flexibility, you can run the flue vertically or horizontally from an elevation of 1.5° and the flue can be extended up to 27* metres from the boiler allowing for easy and hassle-free installation.



Keston System
27m maximum flue length*

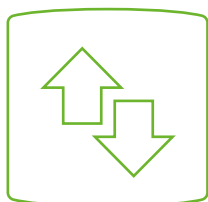


Keston Combi
27m maximum flue length*



Keston Heat 2
18m maximum flue length*

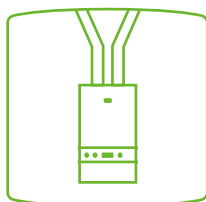
*For flue fall and maximum total equivalent flue lengths, please refer to each boiler's installation manual



APPROVED FLUE PIPE SYSTEMS

When installing a replacement boiler a new flue system is recommended. However re-using the existing boiler flue installation is acceptable if the installer checks and confirms:

- The flue pipe is the approved Marley/Polypipe/Terrain/Wavin 50mm muPVC (PVC-C) solvent weld flue system
- The flue installation is upgraded to the most recent flue standards taking particular care to comply with flues in voids regulation
- A risk assessment is conducted to confirm the effectiveness of the flue
- The existing flue will last the lifetime of the new appliance



DESIGN

Individual air supply and flue outlet pipes are used as standard.

The material approved for this application which MUST be used are:

- Marley muPVC Solvent Weld System (50mm)
- Polypipe System 2000 muPVC solvent weld (50mm)
- Polypipe Terrain 200 muPVC Solvent Weld System (50mm)
- Wavin OSMA PVC-C Solvent Weld System (50mm) to BS5255 and/or BSEN1566-11 and BSEN1329, are the only systems approved for this application.

THE FOLLOWING PIPE AND FITTINGS ARE APPROVED:

Marley muPVC Solvent Weld System (50mm)

Marley Code	
KP 304	50mm x 4m double spigot pipe
KP32	50mm x 45 deg bend
KSC3	50mm straight coupling
KB3	50mm x 88.5 deg bend
KT3	50mm swept tee

Polypipe System 2000 muPVC Solvent Weld System (50mm)

Polypipe Code	
MU 301	4m length muPVC wastepipe 5/225
MU 313	50mm x 45 deg muPVC obtuse bend
MU 314	50mm x 92.5 deg muPVC swept bend
MU 310	50mm muPVC straight coupling
MU 316	50mm muPVC straight coupling
MU 316	50mm x 92.5 deg muPVC swept tee

Polypipe Terrain Solvent 200 Weld System (50mm)

Polypipe Code	
200.2.40	4m length muPVC wastepipe
201.2.135	50mm x 135 deg muPVC bend
200.2.91	50mm x 91 1/4 deg muPVC swept bend
210.2	50mm muPVC straight coupling
204.2.135	50mm muPVC swept tee

Wavin OSMA PVC-C Solvent Weld System (50mm)

Wavin Code	
2M073	3M length waste pipe 50mm
2M163	50mm x 45 deg bend
2M161	50mm x 87.5 deg bend
2M104	50mm double socket
2M190	50mm x 8.75 tee



Create the perfect smart home



It lets you control your existing heating system from your smartphone, and if you've got a hot water tank, you can control that too.

- Set daily heating and hot water schedules
- Save up to €120 a year on your bill by never having to heat an empty home

Both wireless and wired versions of Hive Active Heating are available.



Our new thermostatic radiator valve lets you manage your heating room by room so you never have to heat an empty room again. To install, simply unscrew your existing TRV head and replace it with a Hive Radiator Valve.



Hive Hub and Hive Hub 360

Most of our products need a Hive Hub, and you'll get one when you buy Hive Active Heating. Your hub is the heart of your smart home, connecting all your Hive products so you can manage them remotely through the Hive app.



Get on with your day

Hive Active Heating includes features like geolocation: if you've left home and forgotten to turn off your heating, we'll send you a notification. Then you can turn your heating off with the Hive app.



You can also choose a Hive Hub 360, which is even more advanced. As well as connecting your Hive devices, it also detects and records important sounds (like smoke alarms or glass breaking) then sends you a notification. And it connects wirelessly through your Wi-Fi so you can put it anywhere in your home.

Description	Reference	List Price
Hive Active Heating V2 Heating Only (Combi)	IR7000990	€161.79
Hive Active Heating V2 Heating & Hot Water (System)	IR7001003	€161.79
Hive Multizone	IR7001010	€96.75
Hive Thermostat Stand - Black	IR7001515	€28.45
Hive Radiator Control Head	UK7004240	€47.97
Hive Radiator Control Head & Body	UK7004561	€56.10
Hive V2 Pro Install	IR7000983	€263.44
Hive Hubless Heating (New Build)	UK7000747	€99.17
Hive Hubless Heating & Hot Water (New Build)	UK7000754	€99.17
Hive Hub	IR7001041	€80.49
Hive Signal Booster	IR7001126	€28.46
Hive Active Plug	IR7001058	€36.59
Hive Motion Sensor	IR7001034	€28.46
Hive Window or Door Sensor	IR7001027	€28.46
Hive Hub 360 (White)	IR7001805	€104.88
Hive Hub 360 (Black)	IR7001799	€104.88
Hive White Dimmable Light (Bayonet)	IR7001065	€20.33
Hive White Dimmable Light (Screw)	IR7001072	€20.33
Hive Tuneable Light - Bayonet	IR7001089	€28.46
Hive Tuneable Light - Screw	IR7001096	€28.46
Hive Colour Light - Bayonet	IR7001102	€39.84
Hive Colour Light - Screw	IR7001119	€39.84
Hive Active Light™ Dimmable GU10 Spotlight (Single)	IR7003014	€15.45
Hive Active Light™ Dimmable GU10 Spotlight (6 pack)	IR7003021	€80.49
Hive Active Light™ Dimmable GU10 Spotlight (10 pack)	IR7003038	€121.14
Hive Active Light™ Cool to Warm White GU10 Spotlight (Single)	IR7003045	€20.33
Hive Active Light™ Cool to Warm White GU10 Spotlight (6 Pack)	IR7003052	€104.88
Hive Active Light™ Cool to Warm White GU10 Spotlight (10 Pack)	IR7003069	€145.53
Hive Active Light™ Cool to Warm White GU10 Spotlight (6 Pack) c/w Hub	IR7003373	€145.53
Hive Active Light™ Dimmable E14 (Single)	UK7003199	€20.33
Hive Active Light™ Dimmable E14 (Twin Pack)	UK7003205	€36.59
Hive Active Light™ Cool to Warm White E14 (Single)	UK7003212	€28.46
Hive Active Light™ Cool to Warm White E14 (Twin Pack)	UK7003229	€47.97
High View Indoor Camera - White	IR7001744	€161.79
High View Indoor Camera - Black	IR7001737	€161.79
High View Outdoor Camera - White	UK7003793	€161.79

ideal
HEATING



Alfea A.I Heat Pumps

**WE BELIEVE IN
CLEAN ENERGY**

ideal
HEATING

Heat Pump Collection

Alfea Extensa

Split air-to-water heat pump that provides a low temperature solution for all projects

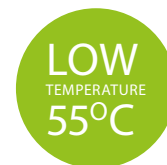


Accessories

- Duo 2 Zone Kit - incl. Pump, Pipework & Mixing Valve. This allows the underfloor and radiators to be run at a different temperature simultaneously.
- Hydraulic stand off kit for top connections
- Boiler connection kit
- A59 Navilink stat
- DHW Kit
- Buffer Tank 25ltr
- Buffer Tank 50ltr
- Cozy Touch Gateway

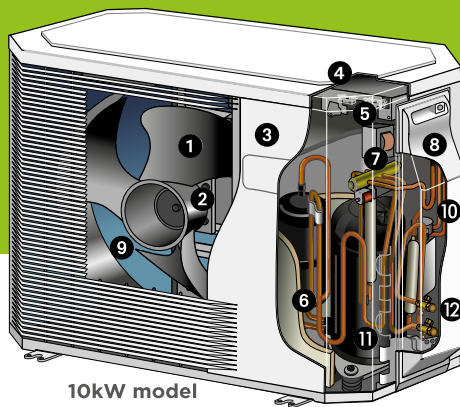
Product Overview

- Suitable for New Builds & Renovations
- 4 Models: 5kw - 10kw outputs - single phase
- Heating & DHW Integrated
- COP: up to 4.52 (+7°C / +35°C)
- Outside working temperatures -20°C to +35°C
- Low Temperature Heating : max 55°C
- NZEB Compliant
- Market Leading 8 Year Warranty
- Reliability as Standard

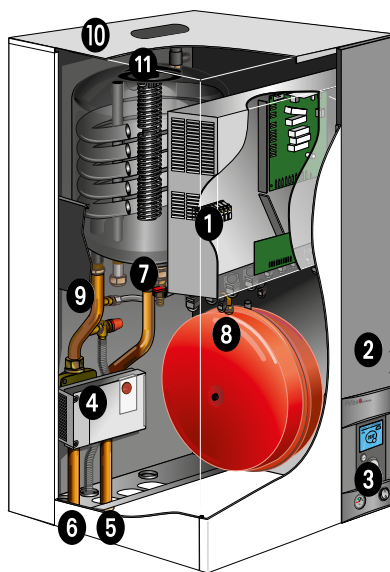


Key features

- Patented Co-axial Heat Exchanger
- Robust System tolerant heat exchanger with large waterways
- No in line filter required - less maintenance
- No waterflow controller needed - reducing circulation issues
- Built in 16lt Buffer Tank
- Intuitive Controls & Simple to use
- Easy Installation & maintenance
- Compatible with all low level heating emitters (underfloor heating, steel panel radiators, aluminium radiators, fan coils)
- Integrated Electrical back up 3kw
- Navistem 400S Controller - Quick Start Set Up
- Cozy Touch available allowing control of heating system from your phone
- Low Energy Consumption circulating pump
- Inverter regulation
- Twin Rotary Compressor
- Refrigerant circuit R410A
- Accessories to meet all requirements



10kW model



Alfea Extensa A.I Heat Pumps

Description	Reference	List Price
Alfea Extensa A.I 5 Kw Split	AH526220	€4,880.20
Alfea Extensa A.I 6 Kw Split	AH526221	€5,223.79
Alfea Extensa A.I 8 Kw Split	AH526222	€5,649.93
Alfea Extensa A.I 10 Kw Split	AH526223	€6,134.77

Outdoor inverter unit

- 1 Low-noise, high-output coil
- 2 Electric variable speed "Inverter" motor
- 3 "Inverter" control module
- 4 Control lights and buttons
- 5 Connection terminals (power supply and interconnection)
- 6 Refrigerant accumulator bottle
- 7 Cycle reversing valve
- 8 Anti-corrosion treated metal cover
- 9 High performance exchange surface evaporator; anti-corrosion treated hydrophilic aluminium fins and grooved copper tubes
- 10 Electronic expansion valve
- 11 Noise and temperature insulated "Inverter" compressor
- 12 Refrigerating connection valves (flared connectors) with protective cover

Indoor hydraulic module

- 1 Electric board
- 2 User interface/regulator
- 3 Pressure gauge
- 4 Low consumption circulation pump
- 5 Heating flow
- 6 Heating return
- 7 Refrigerant connections
- 8 Expansion vessel
- 9 Safety valve
- 10 Coaxial heat exchanger
- 11 Electrical back-up

Heat Pump Pack Price Includes

- ✓ Drain Tray
- ✓ Rubber Feet
- ✓ A59 Navilink stat
- ✓ Weather Compensation Kit
- ✓ Integrated 3kw Electric Back up Heater
- ✓ 10m of refrigerant pipe
- ✓ Commissioning

DHW Heat Pump Cylinder

Description	Reference	List Price
Ideal Heat Pump Cylinder 180ltr	219433	€1,477.31
Ideal Heat Pump Cylinder 210ltr	219434	€1,591.66
Ideal Heat Pump Cylinder 250ltr	219435	€1,644.92
Ideal Heat Pump Cylinder 300ltr	219436	€1,738.73
Ideal Heat Pump Cylinder Slimline 180ltr	219437	€1,578.94
Ideal Heat Pump Cylinder Slimline 210ltr	219438	€1,610.79

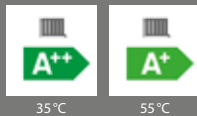


Alfea Extensa Duo



Split air-to-water heat pump that provides a low temperature solution (heating & DHW) for all projects

8* YEAR
WARRANTY

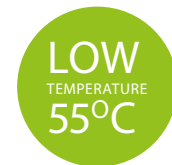


Accessories

- Duo 2 Zone Kit - incl. Pump, Pipework & Mixing Valve. This allows the underfloor and radiators to be run at a different temperature simultaneously.
- Hydraulic stand off kit for top connections
- Boiler connection kit
- A59 Navilink stat
- DHW Kit
- Buffer Tank 25ltr
- Buffer Tank 50ltr
- Cozy Touch Gateway

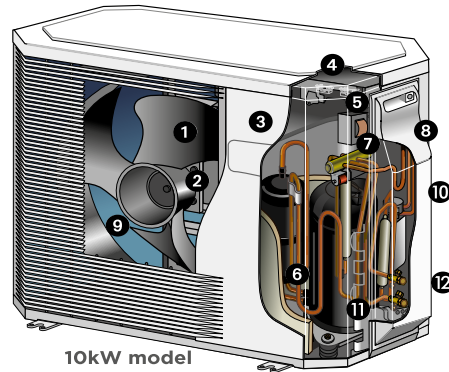
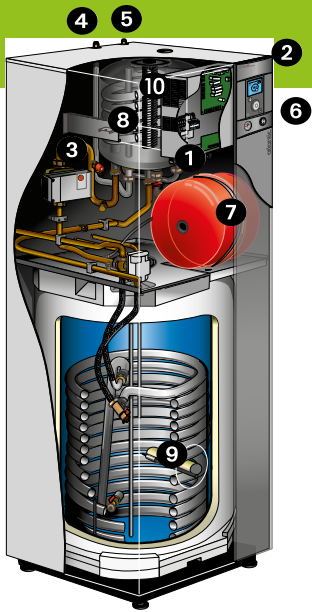
Product Overview

- Suitable for New Builds & Renovations
- 4 Models: 5kw - 10kw outputs - single phase
- Heating & DHW Integrated
- COP: up to 4.52 (+7°C / +35°C)
- Outside working temperatures -20°C to +35°C
- Low Temperature Heating : max 55°C
- NZEB Compliant
- Market Leading 8 Year Warranty
- Reliability as Standard



Key features

- Patented Co-axial Heat Exchanger
- Robust System tolerant heat exchanger with large waterways
- No in line filter required - less maintenance
- No waterflow controller needed - reducing circulation issues
- Built in 16lt Buffer Tank
- DHW storage tank integrated (190L)
- Intuitive Controls & Simple to use
- Easy Installation & maintenance
- Compatible with all low level heating emitters (underfloor heating, steel panel radiators, aluminium radiators, fan coils)
- Integrated Electrical back up 3kw
- Navistem 400S Controller - Quick Start Set Up
- Cozy Touch available allowing control of heating system from your phone
- Low Energy Consumption circulating pump
- Inverter regulation
- Twin Rotary Compressor
- Refrigerant circuit R410A
- Accessories to meet all requirements



Outdoor inverter unit

- 1 Low-noise, high-output coil
- 2 Electric variable speed "Inverter" motor
- 3 "Inverter" control module
- 4 Control lights and buttons
- 5 Connection terminals (power supply and interconnection)
- 6 Refrigerant accumulator bottle
- 7 Cycle reversing valve
- 8 Anti-corrosion treated metal cover
- 9 High performance exchange surface evaporator; anti-corrosion treated hydrophilic aluminium fins and grooved copper tubes
- 10 Electronic expansion valve
- 11 Noise and temperature insulated "Inverter" compressor
- 12 Refrigerating connection valves (flared connectors) with protective cover

Indoor hydraulic module

- 1 Electric board
- 2 User interface/regulator
- 3 Low consumption circulation pump
- 4 "Gas" refrigeration connection
- 5 "Liquid" refrigeration connection
- 6 Pressure gauge
- 7 Expansion vessel
- 8 Coaxial heat exchanger
- 9 DHW electric back-up
- 10 Electrical back-up

Heat Pump Pack Price Includes

- ✓ DHW Storage Tank Integrated (190ltr)
- ✓ Drain Tray
- ✓ Rubber Feet
- ✓ A59 Navilink stat
- ✓ Weather Compensation Kit
- ✓ Integrated 3kw Electric Back up Heater
- ✓ 10m of refrigerant pipe
- ✓ Commissioning

Alfea Extensa A.I DUO Heat Pumps

Description	Reference	List Price
Alfea Extensa Duo A.I 5 Kw	AH526226	€6,088.96
Alfea Extensa Duo A.I 6 Kw	AH526227	€6,301.42
Alfea Extensa Duo A.I 8 Kw	AH526228	€6,848.40
Alfea Extensa Duo A.I 10 Kw	AH526229	€7,675.66

Alfea Excellia

Split air-to-water heat pump that provides a high temperature solution for all projects.

8* YEAR
WARRANTY



Product Overview

- Suitable for New Builds & Renovations
- 3 Models: 11kw, 14kw & 16kw outputs
- Three phase available in 16kw
- COP: up to 4.3 (+7°C / +35°C)
- Outside working temperatures -25°C to +35°C
- High Temperature Heating up to 60°C
- NZEB Compliant
- Market Leading 8 Year Warranty
- Reliability as Standard

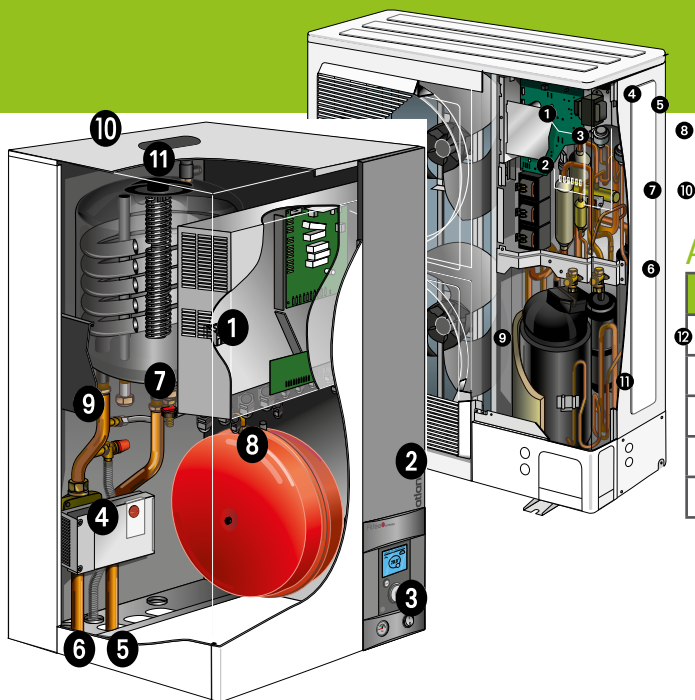


Accessories

- Duo 2 Zone Kit - incl. Pump, Pipework & Mixing Valve. This allows the underfloor and radiators to be run at a different temperature simultaneously.
- Hydraulic stand off kit for top connections
- Boiler connection kit
- A59 Navilink stat
- DHW Kit
- Electrical relay available to upgrade Electrical back up to 6kw & 9kw (on 3 phase)
- Buffer Tank 25ltr
- Buffer Tank 50ltr
- Cozy Touch Gateway

Key features

- Patented Co-axial Heat Exchanger
- Robust System tolerant heat exchanger with large waterways
- No in line filter required - less maintenance
- No waterflow controller needed - reducing circulation issues
- Built in 16lt Buffer Tank
- Intuitive Controls & Simple to use
- Easy Installation & maintenance
- Compatible with all low level heating emitters (underfloor heating, steel panel radiators, aluminium radiators, fan coils)
- Integrated Electrical back up heater
- Navistem 400S Controller - Quick Start Set Up
- Cozy Touch available allowing control of heating system from your phone
- Low Energy Consumption circulating pump
- Inverter regulation
- Twin Rotary Compressor
- Refrigerant circuit R410A
- Accessories to meet all requirements



Alféa Excellia A.I Heat Pumps

Description	Reference	List Price
12 Alféa Excellia A.I 11 Kw Split	AH526350	€6,377.00
Alféa Excellia A.I 14 Kw Split	AH526351	€6,857.92
Alféa Excellia A.I 11 Tri Kw Split	AH526352	€6,377.00
Alféa Excellia A.I 14 Tri Kw Split	AH526353	€6,857.92
Alféa Excellia A.I 16 Tri Kw Split	AH526354	€7,337.04

Outdoor inverter unit

- 1 Low-noise, high-output coil
- 2 Electric variable speed "Inverter" motor
- 3 "Inverter" control module
- 4 Control lights and buttons
- 5 Connection terminal blocks (power supply and interconnection)
- 6 Refrigerant accumulator bottle
- 7 Cycle reversing valve
- 8 Anti-corrosion treated metal cover
- 9 High performance exchange surface evaporator; anti-corrosion treated hydrophilic aluminium fins and grooved copper tubes
- 10 Electronic expansion valve
- 11 Noise and temperature insulated "Inverter" compressor
- 12 Refrigerating connection valves (flared connectors) with protective cover

Indoor hydraulic module

- 1 Electric board
- 2 User interface/regulator
- 3 Pressure gauge
- 4 Low consumption circulation pump
- 5 Heating flow
- 6 Heating return
- 7 Refrigerant connections
- 8 Expansion vessel
- 9 Safety valve
- 10 Coaxial heat exchanger
- 11 Electrical back-up

Heat Pump Pack Price Includes

- ✓ Drain Tray
- ✓ Rubber Feet
- ✓ A59 Navilink stat
- ✓ Weather Compensation Kit
- ✓ Integrated 3kw Electric Back up Heater
- ✓ 10m of refrigerant pipe
- ✓ Commissioning

DHW Heat Pump Cylinder

Description	Reference	List Price
Ideal Heat Pump Cylinder 180ltr	219433	€1,477.31
Ideal Heat Pump Cylinder 210ltr	219434	€1,591.66
Ideal Heat Pump Cylinder 250ltr	219435	€1,644.92
Ideal Heat Pump Cylinder 300ltr	219436	€1,738.73
Ideal Heat Pump Cylinder Slimline 180ltr	219437	€1,578.94
Ideal Heat Pump Cylinder Slimline 210ltr	219438	€1,610.79



Alfea Excellia Duo



Split air-to-water heat pump provides a high temperature solution (heating & DHW) for all projects.

8* YEAR
WARRANTY



Product Overview

- Suitable for New Builds & Renovations
- 3 Models: 11kw, 14kw & 16kw outputs
- Three phase available in 16kw
- COP: up to 4.3 (+7°C / +35°C)
- Outside working temperatures -25°C to +35°C
- High Temperature Heating up to 60°C
- NZEB Compliant
- Market Leading 8 Year Warranty
- Reliability as Standard

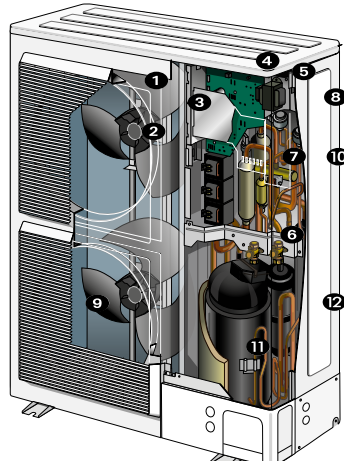
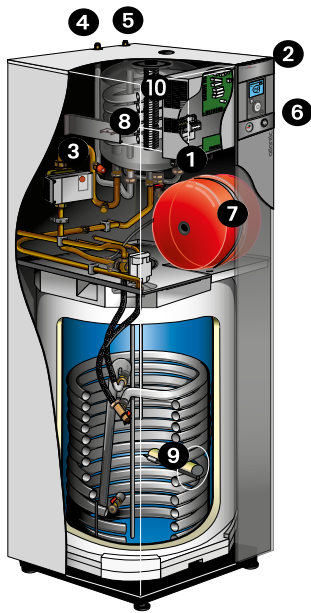


Accessories

- Duo 2 Zone Kit - incl. Pump, Pipework & Mixing Valve. This allows the underfloor and radiators to be run at a different temperature simultaneously.
- Hydraulic stand off kit for top connections
- Boiler connection kit
- A59 Navilink stat
- DHW Kit
- Electrical relay available to upgrade Electrical back up to 6kw & 9kw (on 3 phase)
- Buffer Tank 25ltr
- Buffer Tank 50ltr
- Cozy Touch Gateway

Key features

- Patented Co-axial Heat Exchanger
- Robust System tolerant heat exchanger with large waterways
- No in line filter required - less maintenance
- No waterflow controller needed - reducing circulation issues
- Built in 16lt Buffer Tank
- Intuitive Controls & Simple to use
- Easy Installation & maintenance
- Compatible with all low level heating emitters (underfloor heating, steel panel radiators, aluminium radiators, fan coils)
- DHW Storage Tank Integrated 190ltr
- Integrated Electrical back up heater
- Navistem 400S Controller - Quick Start Set Up
- Cozy Touch available allowing control of heating system from your phone
- Low Energy Consumption circulating pump
- Inverter regulation
- Twin Rotary Compressor
- Refrigerant circuit R410A
- Accessories to meet all requirements



Outdoor inverter unit

- 1 Low-noise, high-output coil
- 2 Electric variable speed "Inverter" motor
- 3 "Inverter" control module
- 4 Control lights and buttons
- 5 Connection terminal blocks (power supply and interconnection)
- 6 Refrigerant accumulator bottle
- 7 Cycle reversing valve
- 8 Anti-corrosion treated metal cover
- 9 High performance exchange surface evaporator; anti-corrosion treated hydrophilic aluminium fins and grooved copper tubes
- 10 Electronic expansion valve
- 11 Noise and temperature insulated "Inverter" compressor
- 12 Refrigerating connection valves (flared connectors) with protective cover

Indoor hydraulic module

- 1 Electric board
- 2 User interface/regulator
- 3 Low consumption circulation pump
- 4 "Gas" refrigeration connection
- 5 "Liquid" refrigeration connection
- 6 Pressure gauge
- 7 Expansion vessel
- 8 Coaxial heat exchanger
- 9 DHW electric back-ups
- 10 Electrical back-up

Heat Pump Pack Price Includes

- ✓ Drain Tray
- ✓ Rubber Feet
- ✓ A59 Navilink stat
- ✓ Weather Compensation Kit
- ✓ Integrated 3kw Electric Back up Heater
- ✓ 10m of refrigerant pipe
- ✓ Commissioning

Alfea Excellia A.I DUO Heat Pumps

Description	Reference	List Price
Alfea Excellia A.I Duo 11 Kw	AH526355	€7,591.54
Alfea Excellia A.I Duo 14 Kw	AH526356	€8,093.76
Alfea Excellia A.I Duo Tri 11 Kw	AH526357	€7,591.54
Alfea Excellia A.I Duo Tri 14 Kw	AH526358	€8,093.76
Alfea Excellia A.I Duo Tri 16 Kw	AH526359	€8,515.90

Alfea A.I Range Accessories

Navilink A59



- Room temperature display
- Radio communication
- Single product allows wired or wireless installation
- Simple activation for holiday mode

Boiler Connection



- Allows the connection of a gas or oil boiler to the Heat Pump
- Compatible with range of 2nd zone kits
- Provides system flexibility to cover all installations

2 Zone Kit (Single Service & Duo Unit)



- Compact 2nd zone kit for single service heat pump
- 2nd zone kit than can be fitted integral to the Duo heat pump
- Integrated low consumption circulation pump and mixer valve
- Compatible with underfloor heating, radiators and fan coils

Buffer Tank



- Compact and versatile buffer tank option
- Wall hung installation in either vertical or horizontal position
- Available in 25 & 50 litre capacities

Accessories for outdoor unit



White PVC floor support (x2)



Black rubber floor support (x2)



Wall bracket 560mm (with bar)



Heater for drain pan



Refrigerant pipes



Protection pipes for refrigerant pipes

Alfea Accessories

Description	Reference	List Price
Navilink A59 (Radio) Stat	AH074208	€82.41
Cozytouch	AH001231	€151.69
Kit Cooling (AI)	AH075328	€46.31
Electrical Relay 6kw	AH075327	€22.57
Domestic Hot Water Split Kit	AH073991	€134.53
Domestic Hot Water Expansion Kit	AH075118	€205.03
2 Zone Kit for Split (kit ext card incl)	AH570630	€846.39
2 Zone Kit for Split Duo(kit ext card incl)	AH570629	€552.51
Boiler Connection Kit for Split	AH073989	€154.40
Boiler Connection Kit for Split Duo	AH073990	€213.62
Hydraulic Kit Top Connections -1 zone duo	AH075526	€141.39
Hydraulic Kit Top Connections - 2 Zone duo	AH075522	€200.41

Other Accessories

Description	Reference	List Price
Buffer Tank BT25 25 ltr	AH700436	€314.23
Buffer Tank BT50 50 ltr	AH700437	€363.34
Balancing Vessel RLV	AH073957	€545.76
Wall Hung Support 560mm	AH875033	€40.08
Kit Antivibration Support (x4)	AH523574	€18.79
Floor Standing Support 450mm (x2)	AH809532	€14.23
Floor Standing Support Cap (x4)	AH809540	€7.10
Rubber Floor Standing 600mm (x2)	AH809536	€84.33

LORIA HEAT PUMP



5* YEAR
WARRANTY



Available in a choice of four models between 4-10kw, the Loria range offers the best possible performance with a small footprint, thanks to optimised design and control performance together with a compact plate heat exchanger. As a plus, it has an ergonomic design fitting in small spaces.



Loria



Product Overview

- Specifically designed for New Builds & Renovation Projects
- 4 Models: 4kw - 10kw outputs - single phase=
- COP: up to 4.96 (+7°C / +35°C)
- Outside working temperatures -20°C to +35°C
- Low Temperature Heating 55°C
- NZEB Compliant
- 5 Year Warranty
- Reliability as Standard

Key features

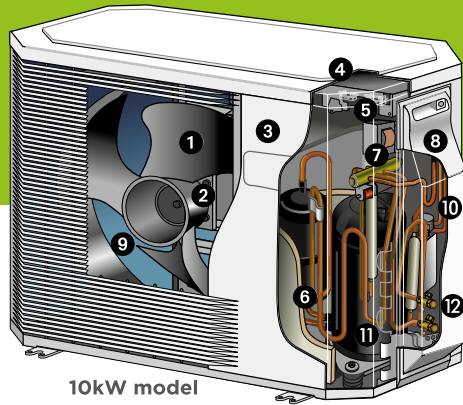
- Plate heat exchanger
- Integrated Magnetic filter
- Space Saving indoor Hydraulic module
- Up to A+++ Erp energy class
- Intuitive & Simple to use controls
- Navistem 100H regulator
- Compatible with all low temperature heating emitters (underfloor heating/cooling, radiators, fan coils)
- Easy Installation & Maintenance
- Electric back-up integrated
- Expansion vessel and pressure gauge
- Low Energy Consumption Circulating Pump
- Invertor Regulation
- Twin Rotary Compressor
- Refrigerant circuit R410A
- Accessories to meet all requirements

Accessories

- 2 Zone Kit - incl. Pump, Pipework & Mixing Valve. This allows the underfloor and radiators to be run at a different temperature simultaneously.
- UA59 Room Thermostat
- DHW Kit
- Buffer Tank 25ltr
- Buffer Tank 50ltr

Loria Accessories

Description	Reference	List Price
Room Thermostat UA55 (Loria)	AH076310	€92.09
Kit 2 zones (Loria)	AH076311	€751.53
Kit 2 zones (Loria Duo)	AH076446	€585.95
Kit dhw (Loria)	AH076446	€144.51
Kit Cooling (Loria)	AH076313	€114.57
Kit Modem Beam	AH075120	€30.70
Pac IO Home Contro	AH602231	€264.30



Loria Heat Pumps

Description	Reference	List Price
Loria 6004 4kw Split	AH522911	€4,368.88
Loria 6006 6kw Split	AH522912	€4,674.92
Loria 6008 8kw Split	AH522913	€5,163.28
Loria 6008 10kw Split	AH522914	€5,589.82

Outdoor inverter unit

- Low-noise, high-output coil
- Electric variable speed "Inverter" motor
- "Inverter" control module
- Control lights and buttons
- Connector terminal blocks (power supply and interconnection)
- Refrigerant accumulator bottle
- Cycle reversing valve
- Anti-corrosion treated metal cover
- High performance exchange surface evaporator; anti-corrosion treated hydrophilic aluminium fins and grooved copper tubes
- Electronic expansion valve
- Noise and temperature insulated "Inverter" compressor
- Refrigerating connection valves (flared connectors) with protective cover

Indoor hydraulic module

1. Electric board
2. User interface/regulator
3. Expansion vessel
4. Electric back-up
5. Plate heat exchanger
6. Low consumption circulation pump
7. Heating connections
8. DHW connections
9. Refrigerant connections
10. DHW tank (190 Litres)
DHW electric back-up

Heat Pump Pack Price Includes

- ✓ Drain Tray
- ✓ Rubber Feet
- ✓ A59 Navilink stat
- ✓ Weather Compensation Kit
- ✓ Integrated 3kw Electric Back up Heater
- ✓ 10m of refrigerant pipe
- ✓ Commissioning

DHW Heat Pump Cylinder

Description	Reference	List Price
Ideal Heat Pump Cylinder 180ltr	219433	€1,477.31
Ideal Heat Pump Cylinder 210ltr	219434	€1,591.66
Ideal Heat Pump Cylinder 250ltr	219435	€1,644.92
Ideal Heat Pump Cylinder 300ltr	219436	€1,738.73
Ideal Heat Pump Cylinder Slimline 180ltr	219437	€1,578.94
Ideal Heat Pump Cylinder Slimline 210ltr	219438	€1,610.79



Loria Duo



Product Overview

- Specifically designed for New Builds & Renovation Projects
- 4 Models: 4kw - 10kw outputs - single phase
- Heating & DHW Integrated
- COP: up to 4.96 (+7°C / +35°C)
- Outside working temperatures -20°C to +35°C
- Low Temperature Heating 55°C
- NZEB Compliant
- 5 Year Warranty
- Reliability as Standard

Key features

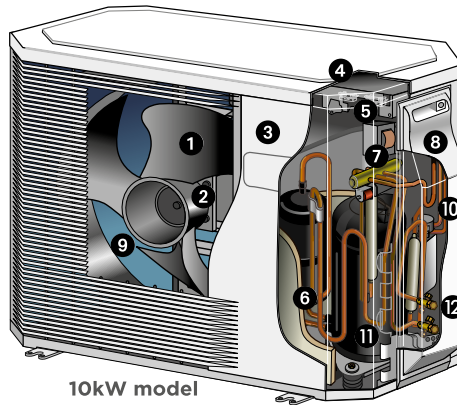
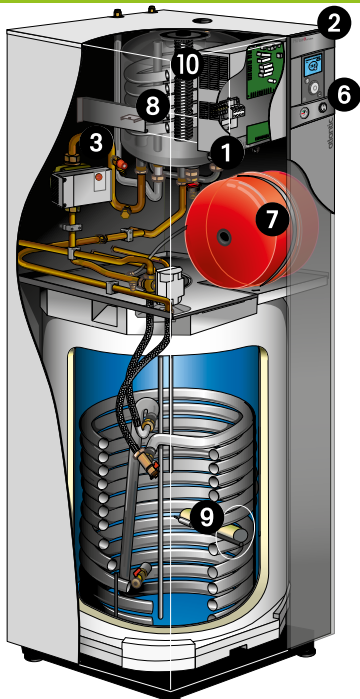
- Plate heat exchanger
- Integrated Magnetic filter
- Space Saving indoor Hydraulic module
- Up to A+++ Erp energy class
- DHW Storage Tank Integrated 190ltr
- Intuitive & Simple to use controls
- Navistem 100H regulator
- Compatible with all low temperature heating emitters (underfloor heating/steel panel & aluminium radiators, fan coils)
- Easy Installation & Maintenance
- Electric back-up integrated
- Expansion vessel and pressure gauge
- Low Energy Consumption Circulating Pump
- Invertor Regulation
- Twin Rotary Compressor
- Refrigerant circuit R410A
- Accessories to meet all requirements

Accessories

- Duo 2 Zone Kit - incl. Pump, Pipework & Mixing Valve. This allows the underfloor and radiators to be run at a different temperature simultaneously.
- UA59 Room Thermostat
- DHW Kit
- Buffer Tank 25ltr
- Buffer Tank 50ltr

Loria Accessories

Description	Reference	List Price
Room Thermostat UA55 (Loria)	AH076310	€92.09
Kit 2 zones (Loria)	AH076311	€751.53
Kit 2 zones (Loria Duo)	AH076446	€585.95
Kit dhw (Loria)	AH076312	€144.51
Kit Cooling (Loria)	AH076313	€114.57
Kit Modem Beam	AH075120	€30.70
Pac IO Home Control	AH602231	€264.30



Outdoor inverter unit

- Low-noise, high-output coil
- Electric variable speed "Inverter" motor
- "Inverter" control module
- Control lights and buttons
- Connector terminal blocks (power supply and interconnection)
- Refrigerant accumulator bottle
- Cycle reversing valve
- Anti-corrosion treated metal cover
- High performance exchange surface evaporator; anti-corrosion treated hydrophilic aluminium fins and grooved copper tubes
- Electronic expansion valve
- Noise and temperature insulated
- "Inverter" compressor
- Refrigerating connection valves (flared connectors) with protective cover

Indoor hydraulic module

1. Electric board
2. User interface/regulator
3. Expansion vessel
4. Electric back-up
5. Plate heat exchanger
6. Low consumption circulation pump
7. Heating connections
8. DHW connections
9. Refrigerant connections
10. DHW tank (190 Litres)
DHW electric back-up

Heat Pump Pack Price Includes

- ✓ Drain Tray
- ✓ Rubber Feet
- ✓ A59 Navilink stat
- ✓ Weather Compensation Kit
- ✓ Integrated 3kw Electric Back up Heater
- ✓ 10m of refrigerant pipe
- ✓ Commissioning

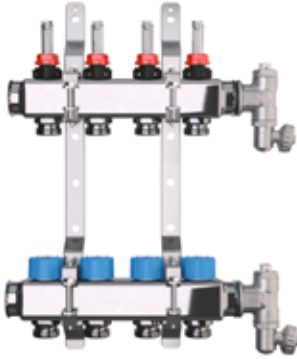
Loria Duo Heat Pump

Description	Reference	List Price
Loria Duo 6004 4kw	AH522963	€5,445.54
Loria Duo 6006 6kw	AH522964	€5,634.79
Loria Duo 6008 8kw	AH522965	€6,268.43
Loria Duo 6008 10kw	AH522966	€7,010.31



Radiant
Systems

Underfloor Heating



Manifolds

In Stainless Steel or Brass, underfloor heating manifolds from 2-12 ports. Integral balancing valves, isolation valves and flow meters as standard. Multi-function valves for purging air and drain cocks for filling the system.



Pipework

WRAS approved AL-PEX pipe for use on both heating and potable water systems. Also see our range of WRAS press fittings.



Giacomini Heat Interface Units

- G5 Mechanical HIU's
- G5e Electronic HIU's
- G6 Smart Minibems HIU's



Giacomini Balancing Valves

- R206C Differential Pressure Control Valve
- R206B Companion Valve
- R206AM Pressure Independent Control Valve



Giacomini Dirt Separators

- R146C Compact Magnetic Dirt Separator
- R146D Dirt Separators
- R146M Magnetic Dirt Separators
- R146IM Hydraulic Separators



Giacomini Controls

- R473 Thermal Actuators
- GDRT Lockable Display Thermostat
- NeoStat Programmable Thermostat
- UH4, UH8 4 or 8 Zone UFH Wiring Centre

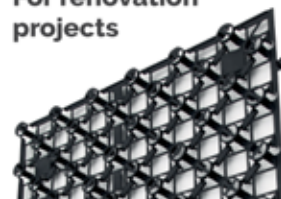
World class quality built in

The Giacomini Group turnover €200 million, of which more than 80% comes from foreign markets, with 3 Italian production facilities, 20 international subsidiaries, 900 employees and 70 tons of brass processed each day.

Giacomini now rank among the world leaders for the production of heating, cooling and domestic hot water distribution components and systems, for use in residential, industrial and commercial settings.

The range of manifolds, pipework, controls and other products here are just a snapshot of what's available today and through local supplier **Ideal Energy**.

For renovation projects



Spider

UFH in just 20mm

Spider Slim, the system for thin and light radiant floors.

Available in three configurations and now two different panel thicknesses, Spider Panels offer a flexible and practical cutting-edge radiant floor solution, with as little as 20mm total screed depth.



Giacomini ALU-PE-EX Underfloor	Reference	List Price
16mm x 2mm PEX-AL-PEX- 100mtr Coil	R999Y122	€78.00
16mm x 2mm PEX-AL-PEX- 200mtr Coil	R999Y123	€156.00

Giacomini Underfloor Heating Manifolds Steel	Reference	List Price
4 Port s/s manifold 1" x 3/4" inc Ancillaries	R553FKS144	€155.00
6 Port s/s manifold 1" x 3/4" inc Ancillaries	R553FKS146	€195.00
8 Port s/s manifold 1" x 3/4" inc Ancillaries	R553FKS148	€245.00
10 Port s/s manifold 1" x 3/4" inc Ancillaries	R553FKS150	€290.00
12 Port s/s manifold 1" x 3/4" inc Ancillaries	R553FKS152	€340.00
25mm x 20mm Black Pipe Conduit - 100mtr Coil	R985NY001	€50.00

Giacomini Underfloor Heating Accessories	Reference	List Price
Clip Rail 16mm x 2mtr	CLIP005	€3.10
Long 60mm Pipe Clips (300/box)	LONG_CLIPS	€12.00
18mm (16mm x 2mm) multilayer & plastic Pipe Connector	R179MX024	€2.50
1" Brass Manifold Connector (2 no. required per manifold)	R189DY005	€3.00
3/4" Manifold Blanking Caps (2 no. required per manifold)	R594Y005	€2.00
230v Electronic Actuator Head, 2 wire	R473X221	€16.00
Adaptor Ring for Electrothermal heads M30 x 1.5mm	R453FY002	€1.00
Differential Pressure Relief Bypass	R553Y060	€52.00
16mm PE-X-AL-PE-X Bypass Adaptors (2 no required per bypass)	R179EX024	€2.00
8mm x 150mm x 50mtr Roll Border Insulation	SLBM173	€38.00
390mm x 1000mm Double Aluminium Diffusion Plate 200cc .7g	DP001	€10.00
Giacomini Clip Gun	R863Y500	€195.00
Giacomini Portable Pipe De-Coiler	R865Y001	€280.00
ST 15/60 Heating Circulator (130) 230v 5.8 metres	47073	€116.70
ST 15/60B DHW Circulator (130) 230v 5.8 metres	47074	€180.40
ST 25/80 Heating Circulator (180) 230v 8 metres	47075	€210.54

Dial Type Thermostats	Reference	List Price
DS1 Surface Mount Dial Thermostat	DS1-V2	€25
DS1 Surface Mount Dial Thermostat c/w Display	DS1-L-V2	€31
Set Back Thermostat	DS-SB-V3	€46
Slimline Thermostats	Reference	List Price
Multi-Mode Slimline Thermostat	Slimline V2	€61
Multi-Mode Slimline Electric Floor Thermostat (incl 3mtr probe)	Slimline E V2	€67
Fan Coil Series	Reference	List Price
Multi Mode Fan Coil Thermostat	Edge HC	€62
Multi Mode Fan Coil Thermostat with Modbus	Edge HC Modbus	€64
Edge	Reference	List Price
Multi Mode Thermostat c/w Modbus	Edge	€55
Multi Mode Electric Floor Heating Thermostat with Modbus	Edge E	€62
Wireless Air Temperature Senso	RF Sensor	€17
Window / Door Contact Sensor	Door Contact	€21
Touchscreen Thermostats Version 2	Reference	List Price
Multi mode Touchscreen Thermostat	Touch V2	€72
Multi mode Touchscreen Electric Floor Heating Thermostat	Touch E V2	€78
Battery Thermostats	Reference	List Price
Battery Powered Programmable Thermostat	Slimline B	€60
Time Clocks	Reference	List Price
Single Zone Time Clock	TM1 V3	€54
4 Zone Time Clock	TM4 TS V2	€83
Wireless Thermostats	Reference	List Price
Multi mode Slimline RF Thermostat	Slimline RF V2	€60
Multi mode Slimline RF Thermostat c/w RF Switch Receiver	Slimline RF Kit V2	€99
Bundle includes neoAir, RF Switch and Desk Stand	NeoAir Bundle	€121
Wireless Receivers	Reference	List Price
2 Channel Receiver	RF Switch	€47
Electric Heating RF Receiver	RF Switch 16A	€51
Neo	Reference	List Price
230v Neo Stat in White	Neostat	€80
Fan Coil neoStat	Neostat HC	€82
12v neoStat	Neostat 12v	€80
neoStat-e	Neostat E	€85
neoStat-hw	Neostat HW	€80
Wireless neo	NeoAir	€80
neoPlug	NeoPlug	€45
Central Control for the Neo System	NeoUltra	€165
Homekit Enabled Neo Internet Gateway	NeoHub Gen2	€165
Homekit Enabled Neo kit 1 - Heating Only	NeoKit 1 Gen2	€245
Homekit Enabled Neo kit 2 - Heating & Hot Water	NeoKit 2 Gen2	€320
Homekit Enabled Neo Kit E Electric Floor Heating	NeoKit E Gen2	€250

	Reference	List Price
UH8-N 8 Zone Wiring Centre	UH8-N	€144
230v 4 Zone Wiring Centre	UH4	€70
230v 6 Zone Wiring Centre	UH6	€76
230v 8 Zone Wiring Centre	UH8	€85
230v 8 Zone Wireless Wiring Centre	UH8-RF	€144
Accessories	Reference	List Price
Neo & RF Series Repeater	Boost	€57
3mtr Remote Sensor Probe	Misc103	€8
Empty Sensor Enclosure	En020	€8
White Thimble Sensor	Thimble Sensor	€17
NeoAir Stand	Neoair Stand	€12
Underfloor Heating Accessories	Reference	List Price
2 Wire Thermal Actuator	TA230	€18



ORCON

Orcon Mechanical Ventilation

Balanced ventilation with heat recovery



Our new HRC Ecomax and Maxcomfort are the balance ventilation systems with heat recovery for every application. The balance is achieved by replacing polluted indoor air extracted from the kitchen, bathroom and cloakroom with an equal volume of fresh, filtered outdoor air supplied to the living areas and bedrooms. During this process the heat from the discharged polluted air is recovered (up to 90% en13141-7) and transferred to the incoming filtered outdoor air. This intelligent system always provides optimum ventilation to meet the current conditions. The result: a lower energy bill and an exceptionally healthy, comfortable indoor climate at all times.

Smart, extremely economical and whisper silent
The HRC EcoMax and MaxComfort, part of the HealthLine, are the textbook example of economic efficiency and are fully ready for the stricter Dutch requirements for nearly Zero Energy Buildings (nZEB). The low energy consumption of the unit in combination with the high thermal efficiency result in a perfect EPBD rating. Energy consumption has even been reduced by 60% compared to the previous generation, which is due to the fact that the device has been completely redesigned and equipped with the latest ventilation technologies. Examples of this include: Extra-long Recair Ultimate heat exchanger for maximum performance and minimal loss. Best balancing technique, with up to 1% accuracy, always perfectly balanced. Latest ebm-papst 3D scrolls with Radical impellers and intelligent anemometer technology. Intelligent sensors for fully automatic, highly accurate demand-driven operation.



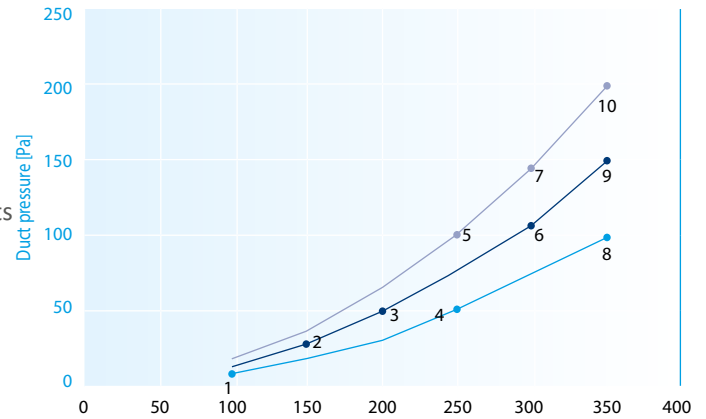
Ease of installation
The HRC EcoMax and MaxComfort not only excel in efficiency but certainly also in ease of installation. Thanks to eight different connection options, no fewer than sixteen connection combinations are possible. The unit is also suitable for use as a left- or right-hand version, allowing it to be installed anywhere. Moreover, the HRC EcoMax and MaxComfort are suitable for both wired and RF-control. This literally means one model for all applications. Easy for the contractor and installer, and lower inventory costs for the wholesaler.

Simple maintenance
The HRC EcoMax and MaxComfort also offer tremendous ease of maintenance. Careful thought was given to service efficiency during development, for example; all important service components are easily accessible for cleaning or replacement. There is also no need to remove the unit from the wall during maintenance work and there are replaceable modules. This saves time and money.

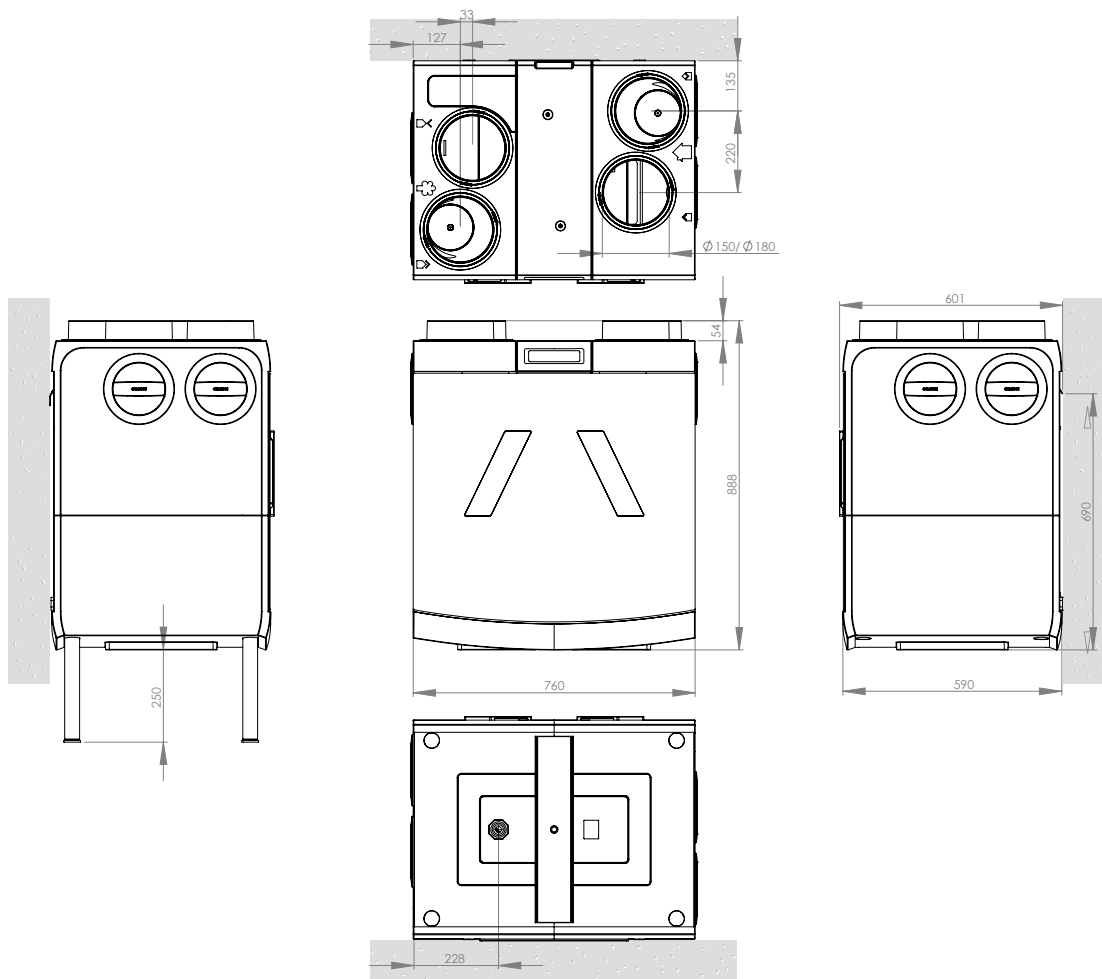


WHAT MAKES THE HRC ECOMAX AND MAXCOMFORT SPECIAL?

- Capacity 400 m³/h or 500 m³/h at 200 Pa
- Thermal efficiency HRC 350 90%, HRC 450 89% (EN13141-7)
- Suitable for new construction (nZE and passive houses)
- Efficient EC fans with constant volume regulation and modbus
- Automatically balancing, 1% accuracy
- Whisper silent
- Modulating 100% bypass
- Fitted with 8 top and side connections
- Easy to expand with RF sensors and/or RF controls, up to 20 elements
- Left and right mounting option with same unit
- Suitable for wall mounting or floor placement (with frame)
- Standard integrated humidity sensors
- Insulating EPP housing
- Filter indication
- Frost protection



Dimensions



Energy passport EPBD													
Product	Orcon HRC-350	Automatic regulation	Yes										
Type motor	EC	Summer bypass	100%										
Max. power / Fan	73 watt	Efficiency	<table border="1"> <thead> <tr> <th>Volume</th> <th>Efficiency</th> </tr> </thead> <tbody> <tr> <td>250 m³/h</td> <td>89%</td> </tr> <tr> <td>350 m³/h</td> <td>88%</td> </tr> <tr> <td>450 m³/h</td> <td>87%</td> </tr> <tr> <td>500 m³/h</td> <td>86%</td> </tr> </tbody> </table>	Volume	Efficiency	250 m ³ /h	89%	350 m ³ /h	88%	450 m ³ /h	87%	500 m ³ /h	86%
Volume	Efficiency												
250 m ³ /h	89%												
350 m ³ /h	88%												
450 m ³ /h	87%												
500 m ³ /h	86%												

IED Ducting for Mechanical Ventilation

Image	Description	Reference	List Price
	EP100 Round Pipe 2mtr	1200-4	€8.37
	EP125 Round Pipe 1mtr	1100-5	€5.82
	EP125 Round Pipe 2mtr	1200-5	€9.71
	EP150 Round Pipe 1mtr	1100-6	€7.94
	EP150 Round Pipe 2mtr	1200-6	€21.27
	EP100 90° Bend	490	€2.01
	EP125 90° Bend	590	€4.79
	EP150 90° Bend	690	€12.41
	EP100 45° Bend	491	€1.95
	EP125 45° Bend	591	€4.79
	EP150 45° Bend	691	€12.42
	EP100 Equal T Piece	492	€4.91
	EP125 Equal T Piece	592	€5.70
	EP150 Equal T Piece	692	€10.09
	EP100 Straight Connector	493	€1.16
	EP125 Straight Connector	593	€1.73
	EP150 Straight Connector	693	€3.51
	S100 Flat Channel 1.5mtr	DD015	€3.97
	S125 Flat Channel 1mtr	510	€5.68
	S125 Flat Channel 1.5mtr	515	€8.52
	S125 Flat Channel 2mtr	D3-2000	€11.36
	MD220 Flat Channel 1mtr	910	€12.90
	MD220 Flat Channel 1.5mtr	915	€19.39
	Megaduct 220 Flat Channel 2mtr	D4-2000	€27.60

IED Ducting for Mechanical Ventilation

Image	Description	Reference	List Price
	S100 Horizontal 90° Bend	DD050	€2.42
	S125 Horizontal 90° Bend	550	€6.21
	MD220 Horizontal 90° Bend	950	€9.16
	S100 Horizontal 45° Bend	DD055	€2.61
	S125 Horizontal 45° Bend	555	€5.43
	MD220 Horizontal 45° Bend	955	€8.23
	S100 Horizontal Equal Tee Piece	DD080	€3.84
	S100 Horizontal Tee Piece	582	€7.90
	MD220 Equal Tee Piece	982	€8.10
	S100 Vertical 90° Bend	DD060	€1.43
	S125 Vertical 90° Bend White	560	€6.09
	MD220 Vertical 90° Bend	960	€2.86
	S100 Vertical 45° Bend	DD075	€6.67
	S125 Vertical 45° Bend	575	€5.26
	MD220 Vertical 45° Bend	975	€6.61
	S100 Flat Channel Connector	DD020	€0.84
	S125 Flat Channel Connector	520	€3.05
	MD220 Flat Connector	920	€3.26
	S100 Elbow Bend with Spigot	DD040	€2.02
	S125 Elbow Connection 125mm	540	€12.54
	MD220 Elbow Bend 125mm Spigot	951	€5.64
	MD220 Elbow Bend 150mm Spigot	961	€12.01
	Circular Reducer 150 - 125mm	118	€1.44
	EP Circular Reducer 125 - 100mm	119	€1.80
	Circular Adaptor 165mm - 150mm	DC165	€13.91
	S100 Round - Rectangular Adapter	DD070	€2.38

IED Ducting for Mechanical Ventilation

Code	Description	Reference	List Price
	S125 Round - Rectangular Adapter	570	€7.90
	MD220 Rectangular - 150mm Round Adapter	970	€9.62
	Double Airbrick - 100mm,125mm,150mm	954	€37.91
	S100 Airbrick Adapter - 125	DD077	€2.61
	Double Airbrick Grey	905G	€7.74
	Horizontal Louvered Airbrick Grey	505G	€5.67
	MD220 Double Airbrick Adapter	977	€3.43
	MD220 - Supertube 125 Adapter	957	€3.43
	100mm Air Extract or Supply Valve	136-04	€6.21
	125mm Air Extract or Supply Valve	136-05	€7.47
	Universal Roof Cowl (UB41)	4411	€105.60
	150mm Aluminium Hose / 25mm Insulation	6210	€87.42

IED Ducting for Mechanical Ventilation

Code	Description	Reference	List Price
	Insulation Shell for 100mm duct	TS1100-4	€9.09
	Insulation Shell for 125mm duct	TS1100-5	€11.65
	Insulation Shell for 150mm duct	TS1100-6	€12.57
	Insulation Shell for 490	TS490	€6.70
	Insulation Shell for 590	TS590	€7.33
	Insulation Shell for 690	TS690	€9.12
	Insulation Shell for 491	TS491	€6.37
	Insulation Shell for 591	TS591	€5.87
	Insulation Shell for 691	TS691	€9.12
	Insulation Shell for 492	TS492	€7.94
	Insulation Shell for 592	TS592	€10.76
	Insulation Shell for 692	TS692	€21.11
	Insulation Shell for 204 x 60mm Duct	TS510	€11.65
	Insulation Shell for 910	TS910	€15.15
	Insulation Shell for 550	TS550	€7.33
	Insulation Shell for 950	TS950	€9.52
	Insulation Shell for 555	TS555	€5.87
	Insulation Shell for 955	TS955	€7.60
	Insulation Shell for 582	TS582	€10.76
	Insulation Shell for 982	TS982	€14.00
	Insulation Shell for 575	TS575	€4.72
	Insulation Shell for 975	TS975	€6.14
	Insulation Shelf for 540	TS540	€7.32
	Insulation Shelf for 961	TS961	€9.51



COMMERCIAL BOILERS & ACCESSORIES



5 YEAR WARRANTIES

Evomax 2 and EVO S wall hung boilers come with 5 year warranty while Imax Xtra, Imax Xtra EL and floor standing boilers have a 5 year Heat Exchanger warranty.



Industry Trusted

WE ARE INDUSTRY TRUSTED

Ideal Commercial boilers are installed in a wide range of settings across the country because we are Industry Trusted. Don't just take our word for it; take a look at our case study videos

Visit www.idealcommercialboilers.com/industrytrusted to find out for yourself.

COMMERCIAL RANGE OVERVIEW

CONDENSING BOILERS



EVOMAX 2

- Wall Hung
- Aluminium Alloy Heat Exchanger
- 30 - 150kW
- 30 - 120kW LPG



EVO S

- Wall Hung
- Stainless Steel Heat Exchanger
- 50 - 135kW
- 50 - 95kW LPG



IMAX XTRA

- Floor Standing
- Aluminium Alloy Heat Exchanger
- 80 - 280kW



IMAX XTRA EL

- Floor Standing
- Aluminium Alloy Heat Exchanger
- 320 - 1240kW



EVOMOD

- Floor Standing
- Stainless Steel Heat Exchanger
- Modular
250-1000kW



EVOJET

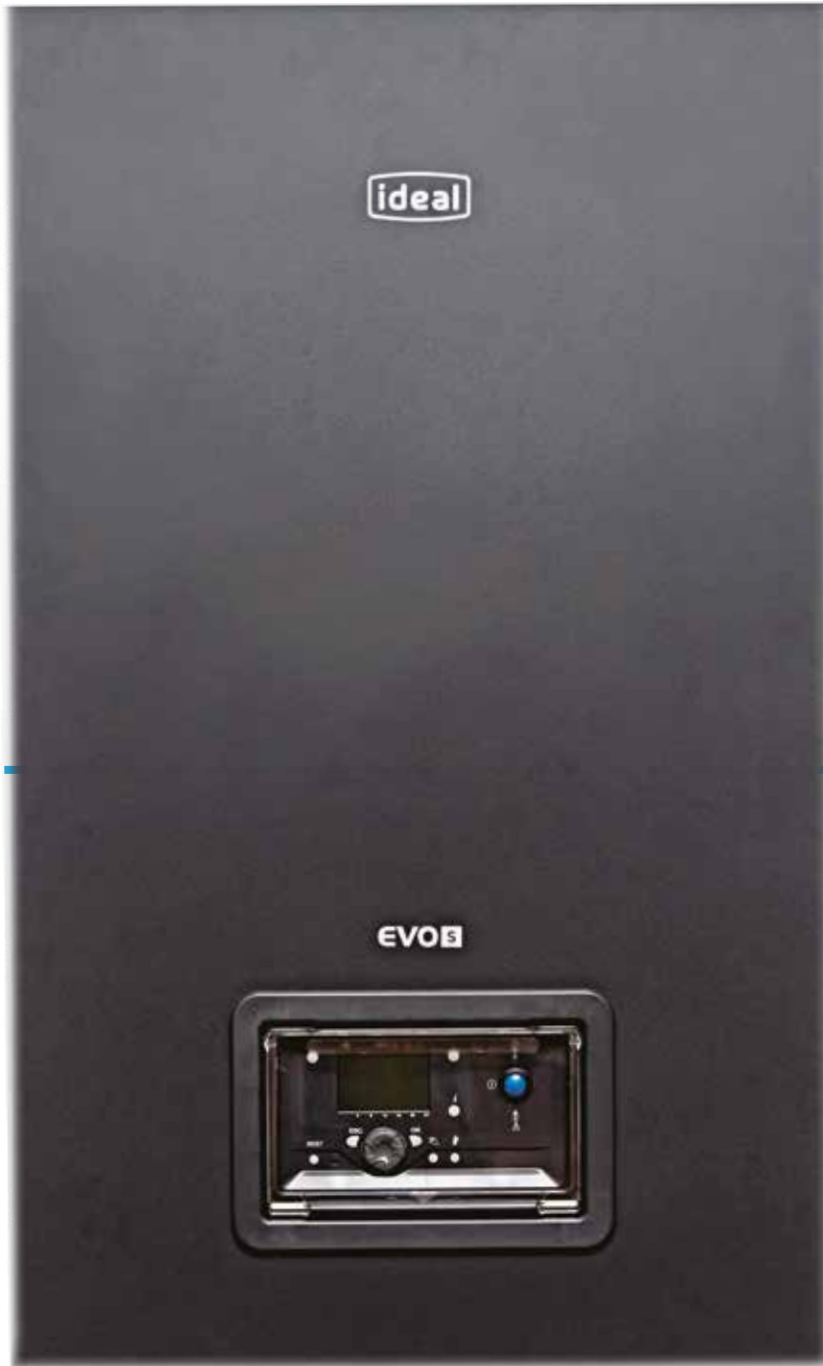
- Floor Standing
- Stainless Steel Heat Exchanger
- 150 - 1450kW
- Condensing Pressure Jet
- Natural Gas, LPG, Oil or Dual Fuel



EVOMAX 2

Aluminium

G COVERED



EVO S

Stainless Steel

EVOMAX 2

30 - 150kW

Available in outputs of 30, 40, 60, 80, 100, 120 and 150kW, Evomax 2 is designed to ensure all installation requirements can be achieved. There is also an LPG Evomax range from 30 to 120 kW for off mains installations.



YEAR WARRANTY*



NOx
Class 6



Wall Hung



Flueing
options



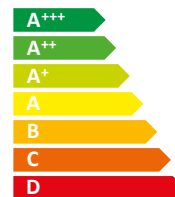
BIM



Cascade
control

FEATURES & BENEFITS

- 5 year warranty*
- Robust cast aluminium silicone alloy heat exchanger
- NOx <40mg/kWh (Class 6) for all natural gas models
- High 5:1 turndown
- Up to 99.6% full load efficiency
- Up to 110% part load efficiency
- Exactly the same compact footprint as Evomax, allowing for easy like for like replacement
- Dynamic control menu set up
- Cascade controls option
- Easy servicing; 3 sides removable
- Built in, serviceable flue Non-Return Valve
- Capable of operating at up to 30° ΔT



A

Applies to Evomax 2 30, 40 and 60kW models only.

Dimensions & Clearances

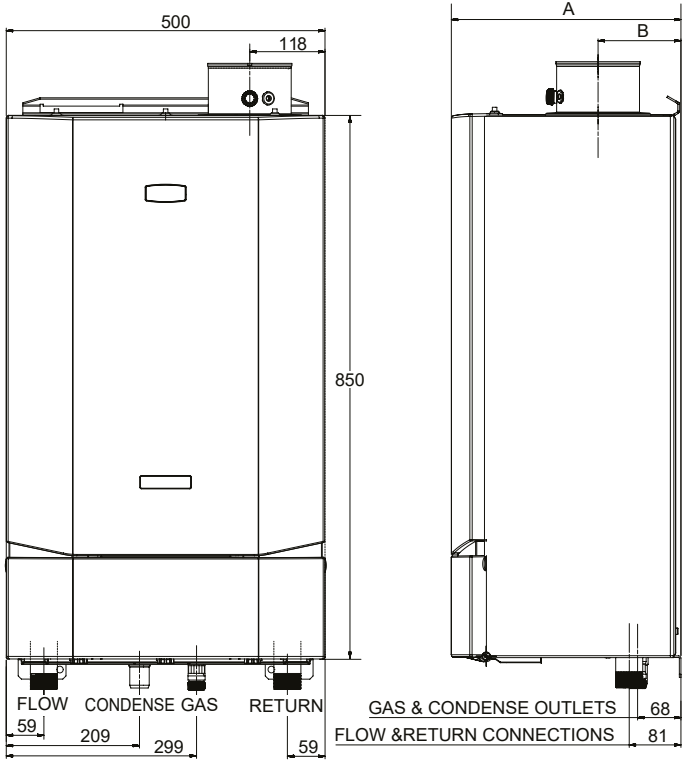
Boiler	Dim A	Dim B
30, 40, 60, 80	360	130
100, 120	520	226
150	610	233

All dimensions in mm

The following minimum clearances must be maintained for operation and servicing:



CLEARANCE BETWEEN MULTIPLE BOILER INSTALLATIONS:
25mm



BOILER ASSEMBLY

INTERNAL VIEW

(40kW MODEL SHOWN)

KEY

1. Auto Air Vent
2. Burner Fixings
3. Fan
4. Gas Valve
5. Venturi
6. Flow Thermistor
7. Ignitor Unit
8. Electrode Detection
9. Ignition Electrode
10. Water Pressure Sensor

PERFORMANCE DATA
EVOMAX 2 30 - 150kW (Natural Gas)

Model			30	40	60	80	100	120	150
Boiler Output (non-condensing) Mean 70°C	Max	kW	30	40	60	80	100	120	150
	Min	kW	6	8	12	16	20	24	30
Boiler Output (condensing) Mean 40°C	Max	kW	31.5	42.0	63.5	84.4	103.9	124.7	158
	Min	kW	6.5	8.5	12.7	17.2	21.6	26.0	32.5
Boiler Input Max Rate	Net	kW	30.4	40.5	60.8	82.0	102.4	122.9	153.7
	Gross	kW	33.7	44.9	67.4	90.9	113.6	136.4	170.5
Boiler Input Min Rate	Net	kW	6.1	8.1	12.2	16.4	20.5	24.6	30.7
	Gross	kW	6.7	9.0	13.5	18.2	22.7	27.3	34.1
Gas Rate	Max rate	m ³ /hr	3.2	4.3	6.4	8.7	10.8	13.0	16.2
Flue Gas Flow Rate	Max Rate	m ³ /hr	41.30	54.05	80.65	110.10	140.50	173.33	210.70
CO ₂ (±0.5%)	Max Rate	%	9.76	10.20	9.40	9.30	9.40	9.62	9.44
	Min Rate	%	8.56	8.60	8.60	8.70	8.60	8.98	8.51
NOx with O ₂ = 0% (gross)	Weighted	mg/kWh	34.1	33.2	35.2	34.9	34.8	33.9	35.7
Efficiency	Seasonal	%	96.7	96.2	96.4	97.2	96.7	96.6	96.7
	*SEDBUK 2009	%	89.6	89.3	89.4	n/a	n/a	n/a	n/a
Operating Temperature	Max	°C	85						

EVOMAX 2 30 - 120kW (LPG)

Model			30P	40P	60P	80P	100P	120P
Boiler Output (non-condensing) Mean 70°	Max	kW	30	40	60	80	100	120
	Min	kW	6	8	12	16	20	24
Boiler Output (condensing) Mean 40°C	Max	kW	30.9	41.2	62.1	82.6	101.7	123.3
	Min	kW	6.4	8.3	12.4	16.8	21.3	25.7
Boiler Input Max Rate	Net	kW	30.4	40.5	60.7	81.9	102.4	122.9
	Gross	kW	33	44	66	88.9	111.2	133.4
Boiler Input Min Rate	Net	kW	6.1	8.1	12.0	16.2	20.5	24.6
	Gross	kW	6.6	8.8	13.1	17.5	22.2	26.7
Gas Rate	Max rate	m ³ /hr	1.26	1.69	2.53	3.41	4.35	5.23
Flue Gas Flow Rate	Max Rate	m ³ /hr	44.09	61.68	88.66	121.57	153.60	183.81
CO ₂ (±0.5%)	Max Rate	%	10.9	11.2	11.4	11.4	10.8	11.2
	Min Rate	%	10.3	9.7	10.2	10.8	10.1	10.1
NOx with O ₂ = 0% (gross)	Weighted	mg/kWh	52.3	64.4	67.7	63.2	65.3	41.6
Efficiency	Seasonal	%	97.2	96.7	96.9	97.7	96.7	96.6
	*SEDBUK 2009	%	90.6	90.3	90.5	n/a	n/a	n/a
Operating Temperature	Max	°C	85					

GENERAL DATA

EVOMAX 2 30 - 150kW (Natural Gas & LPG)

Model		30/30P	40/40P	60/60P	80/80P	100/100P	120/120P	150
Gas Supply		2H - G20 - 20mbar / 3P - G31 - 37mbar						
Gas Supply Connection		G ¾						
Flow Connection		G1 ¼						
Return Connection		G1 ¼						
Max Pressure (sealed system)	Bar (psi)	6						
Maximum Static Head	m	61						
Electricity Supply		230V - 50Hz						
Fuse Rating	A	4.0						
Power Consumption	W	81	138	82	149	187	243	240
IP Rating		IPX4D						
Nominal Flue Size (concentric)	mm	80/125*				100/150		
Condensate Drain	mm	25						
Water Content	l	3.0		5.0		7.0		9.2
Dry Weight	Kg	47.5		57.5		73		81
Weighted Power Level	dBA	55.2	57.7	59	59.9	62	62	59

*Optional kit available on 60kW and 80kW models for 100/150mm flue

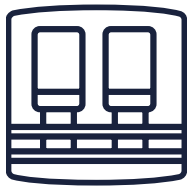
Evomax 2 NG BOILER	30kw NG	40kw NG	60kw NG	80kw NG	100kw NG	120kw NG	150kw NG
Code	220814	220815	220816	220817	220818	220819	220820
List Price	€1,864.72	€1,958.32	€2,270.32	€2,355.60	€2,972.32	€3,159.52	€4,017.52

Evomax 2 LPG Boiler	30kw LPG	40kw LPG	60kw LPG	80kw LPG	100kw LPG	120kw LPG
Code	220823	220824	220825	220826	220827	220828
List Price	€1,864.72	€1,958.32	€2,270.32	€2,355.60	€2,972.32	€3,159.52

Control & Optional Kits	Evomax 2	Reference	List Price
Varican Module Master Kit	✓	221229	€46.80
Varican Module Slave Kit	✓	221230	€40.56
Extension Module Kit	✓	221231	€151.84
Opentherm Room Control Kit	✓	221236	€115.44
Room Sensor Kit	✓	158877	€60.84
Tank Sensor Kit	✓	206798	€60.84
Outside Sensor Kit	✓	206797	€60.84
Header Flow Tank Immersion Sensor Kit	✓	221232	€33.28
Header Flow Tank Strap On Sensor Kit	✓	221233	€62.40
Safety Interlock Kit	✓	221237	€62.40
0-10V Pump Control Kit	✓	221238	€28.08
Condensate Pump	✓	214106	€67.60
Bacnet Gateway	✓	213890	€1,069.12
KNX Gateway	✓	221239	€351.52
LON Network Gateway	✓	213892	€1,115.92
Modbus Gateway	✓	213891	€866.32
Fittings Kit 30 - 60 kw	✓	208659	€74.88

EVOMAX 2 CASCADE

30 - 900kW



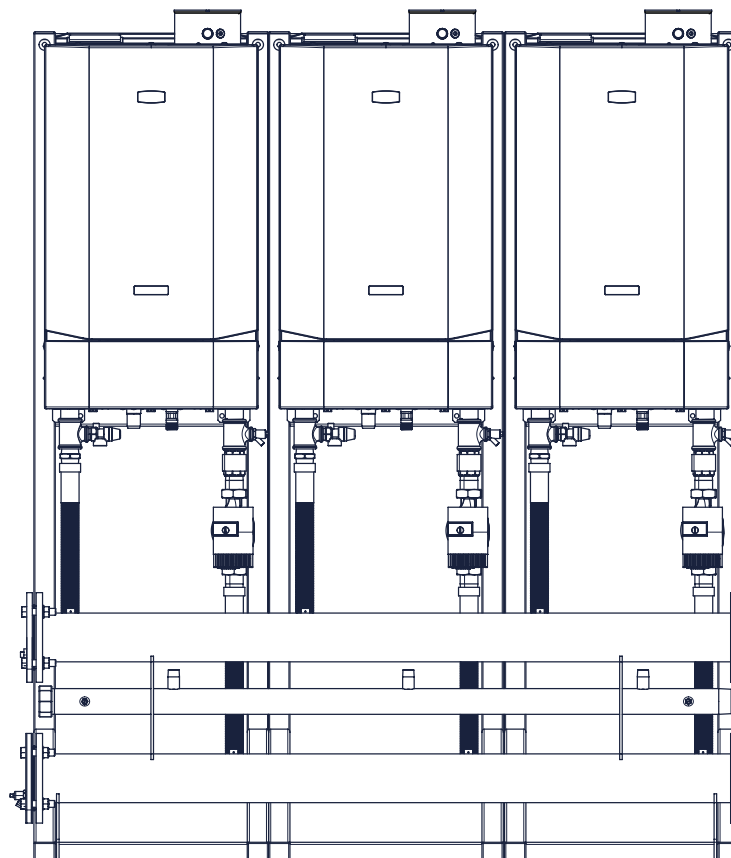
Cascade
control



EVOMAX 2 CASCADE

Frame & Header Kits

For installations requiring more output delivered in a flexible way, up to 6 Evomax 2 boilers can be installed in a cascade. An output of up to 900kW is possible with this modular option which is available in both Inline (Standard and Low Height) and Back to Back arrangements.



CHOOSING WHAT YOU NEED IS STRAIGHTFORWARD:

Choose Frames: select Standard or Low Height Frames, or mount on a wall

Choose a Header: select an Inline or Back to Back configuration for the total number of boilers in the cascade

Choose Hydraulic Separation: select Plate Heat Exchanger or Low Loss Header

Choose Pumps: select the relevant pump for your cascade

Choose Insulation: select the insulation for a Header, Separation and Pumps

- A Standard Height Inline or Back to Back cascade can be for up to 6 boilers

- A Low Height Inline cascade can be for up to 4 boilers

- 1 Standard Height Frame required for each boiler in the cascade

- 1 pump required for each boiler in the cascade

The wide range of options available are detailed on the pages overleaf. Alternatively, use our online Evomax 2 Cascade Configurator tool to compile a complete list of accessories for your cascade:

idealcommercialboilers.com/evomax2-cascade-configurator

A few things to bear in mind:

EVOMAX 2

Frame & Header Accessories

Choose a Frame Kit	List Price
Standard Height Up to 6 boilers 206970 1 frame required per boiler i.e. a 6 boiler cascade requires 6 frames	€230.28
Low Height Inline Up to 4 boilers Included with Low Height Header Kit	

Boilers not included with Frame or Header Kits; please remember to add them to your order.

Choose a Header Kit	List Price
Standard Height Frame, Inline boilers	
2 boilers, 30 - 100kW (DN80) for PHEX & LLH 219542	€1,669.20
2 boilers, 120 & 150kW (DN100) for PHEX & LLH 219547	€1,755.52
3 boilers, 30 - 100kW (DN80) for PHEX & LLH 219543	€2,308.80
3 boilers, 120 & 150kW (DN100) for PHEX & LLH 219548	€2,410.72
4 boilers, 30 - 150kW (DN100) for PHEX & LLH 219549	€3,478.80
5 boilers, 30 - 100kW (DN100) for PHEX & LLH 5 boilers, 120 & 150kW (DN100), PHEX 219545	€4,134.00
5 boilers, 120 & 150kW (DN150) for LLH ONLY 219550	€5,140.72
6 boilers, 30 - 150kW (DN100) for PHEX 6 boilers, 30 - 100kW (DN100) for LLH 219546	€4,797.52
6 boilers, 120 & 150kW (DN150) for LLH ONLY 219551	€5,920.72
Standard Height Frame, Back to Back boilers	
2 boilers, 30 - 150kW (DN80) for PHEX & LLH 219555	€1,849.12
3 boilers, 30 - 150kW (DN80) for PHEX & LLH 219556	€2,176.72
4 boilers, 30 - 150kW (DN100) for PHEX & LLH 219557	€2,878.72
5 boilers, 30 - 150kW (DN100) for PHEX & LLH 219558	€3,424.72
6 boilers, 30 - 150kW (DN100) for PHEX ONLY 222397	€3,837.60
6 boilers, 30 - 150kW (DN150) for LLH ONLY 219559	€5,031.52
Low Height Frame, Inline boiler	
1 boiler, 30 - 150kW for (DN50) for PHEX & LLH 221127	€897.52
2 boilers, 30 - 150kW (DN65) for PHEX & LLH 221128	€1,895.92
3 boilers, 30 - 150kW (DN80) for PHEX & LLH 221129	€2,722.72
4 boilers, 30 - 150kW (DN100) for PHEX & LLH 219561	€3,767.92

Choose Hydraulic Separation	List Price
Low Loss / Mixing Header	
DN50 209394	€373.36
DN65 209395	€378.56
DN80 219552	€429.52
DN100 219553	€585.52
DN150 219554	€1,700.40
Magnetic Low Loss / Mixing Header (MLLH)	
DN50 222191	€1,510.08
DN65 222192	€1,666.08
DN80 222193	€2,447.12
DN100 222194	€2,862.08
Plate Heat Exchanger	
Up to 60kW total output (DN50) 222219	€632.32
Up to 60kW total output (DN65) 222993	€663.52
Up to 60kW total output (DN80) 222220	€725.92
Up to 150kW total output (DN50) 222221	€982.80
Up to 150kW total output (DN65) 222994	€1,006.72
Up to 150kW total output (DN80) 222222	€1,069.12
Up to 300kW total output (DN65) 222223	€1,482.00
Up to 300kW total output (DN80) 222225	€1,521.52
Up to 300kW total output (DN100) 222995	€1,544.40
Up to 450kW total output (DN80) 222226	€1,849.12
Up to 450kW total output (DN100) 222996	€1,955.20
Up to 600kW total output (DN100) 222227	€2,270.32
Up to 750kW total output (DN100) 222228	€5,452.72
Up to 900kW total output (DN100) 222229	€6,045.52

Choose Pumps	List Price
Low Loss / Mixing Header Chosen	
Grundfos UPML (M)LLH Pump Kit 222659	€273.52
Plate Heat Exchanger Chosen	
Grundfos UPMXXL PHEX Pump Kit 222660 1 pump required per boiler i.e. a 6 boiler cascade requires 6 pumps	€335.92
No Separation Chosen	
Grundfos UPML Pump Kit 222659	€273.52

If using a Low Loss Header or Plate Heat Exchanger not from Ideal Commercial, please use the pump recommended by the manufacturer

Choose Insulation	List Price
For Standard Height Header Kits	
DN80/100 Starter Kit 222960	€148.72
DN80/100 Continuation Kit 222961	€137.28
DN80/100 Joined Header Kit 222962	€133.12
For Low Height Header Kits	
DN50 Starter Kit 223032	€171.60
DN65 Starter Kit 223035	€156.00
DN65 Continuation Kit 223036	€148.72
DN80/100 Starter Kit 223038	€145.60
DN80/100 Continuation Kit 223039	€137.28
DN80/100 Joined Header Kit 223040	€133.12
For Low Loss and Magnetic Low Loss Header	
DN50 (M)LLH Insulation Kit 222963	€124.80
DN60 (M)LLH Insulation Kit 222964	€114.40
DN80/100 (M)LLH Insulation Kit 222965	€117.52
For Grundfos UPML (M)LLH Pump Kit	
(M)LLH Pump Insulation Kit 222894	€33.28

HYDRAULIC SEPARATION

Ideal Commercial offer various solutions to hydraulic separation

PLATE HEAT EXCHANGER



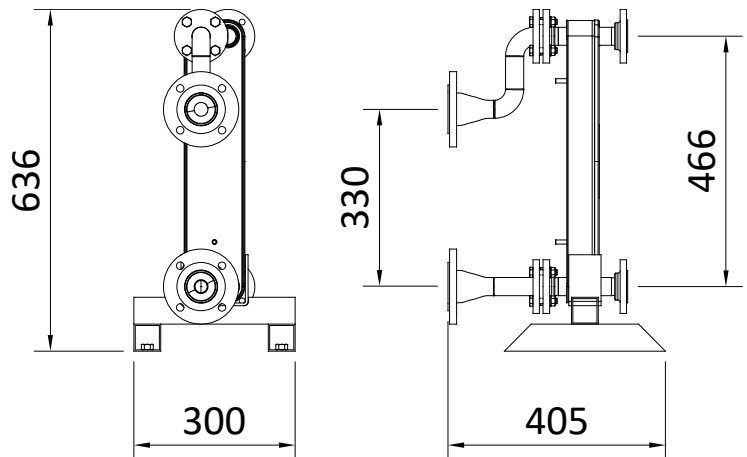
Covering outputs of 60, 150, 300, 450, 600, 750 and 900kW. Brazed Plate Heat Exchangers ensure optimum heat transfer efficiency and low resistance within a compact footprint. To be used with Ideal Commercial Frame and Header kits.

FEATURES & BENEFITS

- Compact design
- No gaskets
- Low maintenance and self-cleaning
- All units are pressure tested
- To be used with Ideal Commercial Frame and Header kits
- Ensures optimal heat transfer efficiency and pressure resistance
- Separates system water from the boiler
- Ensures the highest performance for longest possible service life

UP TO 60KW TOTAL OUTPUT PLATE HEAT EXCHANGER

Reference	DN Flange Size	List Price
222219	DN50	€632.32
222993	DN65	€663.52
222220	DN80	€725.92



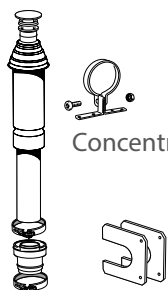


ideal

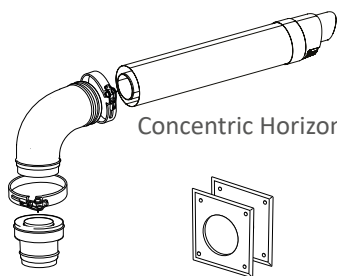
evomax B

ideal

evomax B



Concentric Vertical flue



Concentric Horizontal Flue

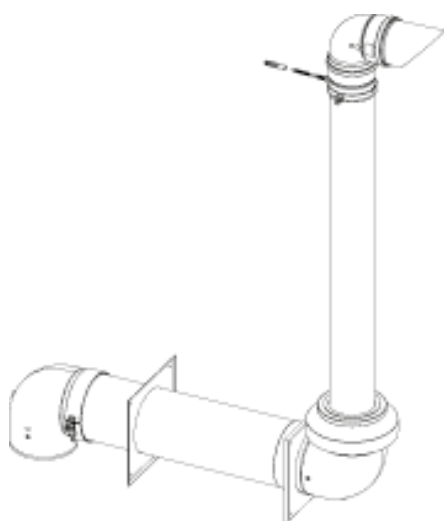


Vertical Open Flue

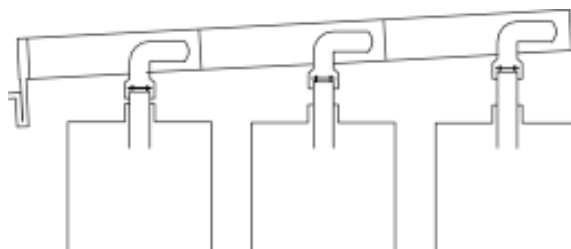
EVOMAX 2 FLUE KITS

Flue Kits - Concentric	Reference	List Price
Vertical Roof Flue (Evo30-80) Kit 80/125	220915	€101.92
Vertical Roof Flue (Evo60-80) Kit 100/150	220916	€156.00
Vertical Roof Flue (Evo100-150) Kit 100/150	220918	€111.28
Horizontal Roof Flue (Evo30-80) Kit 80/125	220919	€80.08
Horizontal Roof Flue (Evo60-80) Kit 100/150	220920	€174.72
Horizontal Roof Flue (Evo100-150) Kit 100/150	220921	€139.36
Extension Kit 80/125	213261	€42.64
Extension Kit 100/150	213262	€57.20
Pitched Weather Collar 80/125	152609	€34.32
Pitched Weather Collar 100/150	152610	€34.32
Flat Weather Collar 80/125	152611	€31.20
Flat Weather Collar 100/150	152612	€31.20
90° Elbow 80/125 Standard (Single)	213259	€38.48
90° Elbow 100/150 Standard (Single)	213263	€45.76
90° Elbow 80/125 Extended (Single)	222004	€65.52
90° Elbow 100/150 Extended (Single)	222005	€76.96
45° Elbow 80/125 (Single)	213260	€37.44
45° Elbow 100/150 (Single)	213258	€48.88
Wall Bracket 125mm	202242	€15.60
Wall Bracket 150mm	202243	€16.64
Flue Kits - Open Flue	Reference	List Price
Open Flue Kit 80	221216	€41.60
Open Flue Kit 100	221218	€46.80
Vertical Flue Terminal 80	158769	€72.80
Vertical Flue Terminal 100	158770	€80.08
Extension Pipes 80 (Pair)	158771	€52.00
Extension Pipes 100 (Pair)	158772	€83.20
90° Elbow 80 (Single)	158773	€16.64
90° Elbow 100 (Single)	158774	€29.12
45° Elbow 80 (Pair)	158775	€33.28
45° Elbow 100 (Pair)	158776	€39.52
Pitched Weather Collar 80 & 100	158779	€35.36
Flat Weather Collar 80 & 100	152259	€46.80
Increaser 80 - 100	222133	€58.24

Plume Kit



Multiline Cascade Kit



EVOMAX 2 FLUE KITS

Plume Kits	Reference	List Price
Plume Kit 80/125	220922	€156
Plume Kit 1m Extension 80/125	213274	€43
Plume Kit 90° Elbow 80/125 (single)	213272	€23
Plume Kit 45° Elbow 80/125 (pair)	213273	€36
Plume Kit 100/150	220923	€211
Plume Kit 1m Extension 100/150	213277	€45
Plume Kit 90° Elbow 100/150 (single)	213275	€29
Plume Kit 45° Elbow 100/150 (pair)	213276	€44
Plume Kit 100/150 with adaptor to fit 80/125 (previously known as Plume Terminal Kit)	220924	€239

Multiline Cascade Kits	Reference	List Price
Multiline Starter Kit 80/125	220925	€445
Multiline Extension Kit 80/125	220926	€289
Multiline Starter Kit 100/150	220927	€461
Multiline Extension Kit 100/150	220928	€312
Multiline Extension Kit excl NRV80 (to fit Evomax 2 to existing Evomax Multiline installations)	222006	€120
Multiline Extension Kit excl NRV 100 (to fit Evomax 2 to existing Evomax Multiline installations)	222068	€104

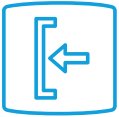
EVO S

50 - 135kW

Available with outputs of 50, 70, 95, 115 or 135kW, EVO S combines the latest stainless steel heat exchanger technology with straightforward installation and maintenance. 50, 70 and 95kW models can be easily converted to run on LPG.



5
YEAR WARRANTY*



Wall Hung



BIM



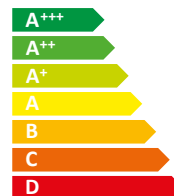
NOx
Class 6



Flueing
options

FEATURES & BENEFITS

- 5 year parts and labour warranty*
- Stainless steel heat exchanger
- Up to 108.9% net efficiency (fully condensing)
- Up to 5:1 turndown
- Compact – one width & height for easy siting
- Simple controls interface with large backlit display
- Low height frame and header kits
- Simple to maintain using quick release internal water and gas couplings
- NOx <40mg/kWh (Class 6)
- Must be installed with a suitable method of system protection, such as a Low Loss Header or Plate Heat Exchanger



A

Applies to EVO S 50 and 70kW models only.

*5 year warranty subject to Terms and Conditions. 5 years parts and labour warranty available subject to being commissioned by Ideal Boilers. Must be fitted with a Low Loss Header or Plate Heat Exchanger. Terms and conditions available at www.idealcommercialboilers.com/downloads.

PERFORMANCE DATA

EVO S 50 - 135kW

Model			50kw	70kw	95kw	115kw	135kw	
Boiler Output (non-condensing) Mean 70°C (Nat Gas & LPG 50-95, Nat Gas only 115 & 135)	Max	kW	56.4	69.9	95.7	119.5	134.0	
	Min	kW	11.5	17.1	19.0	23.9	26.8	
Boiler Output (condensing) Mean 40°C (Nat Gas & LPG 50-95, Nat Gas only 115 & 135)	Max	kW	61.0	76.8	104.5	129.5	146.0	
Boiler Input Max Rate (Nat Gas & LPG 50-95, Nat Gas only 115 & 135)	Net	kW	58.0	72.1	98.5	123.0	137.9	
	Gross	kW	64.4	80.0	109.3	136.5	151.6	
Gas Rate, Nat Gas (G20)	Max rate	m³/hr	6.1	7.6	10.4	13.0	14.6	
Gas Rate, LPG (G31)	Max rate	m³/hr	2.4	3.0	4.0	N/A	N/A	
Flue Gas Flow Rate, Nat Gas	Max Rate	m³/hr	79	98	135	168	189	
Flue Gas Flow Rate, LPG	Max Rate	m³/hr	77	96	128	N/A	N/A	
CO ₂ (±0.1%), Nat Gas	Max Rate	%	9.2				9.0	
	Min Rate	%	8.8				8.6	
CO ₂ (±0.1%), LPG	Max Rate	%	10.4			N/A	N/A	
	Min Rate	%	10.0			N/A	N/A	
NOx with O ₂ = 0%	Weighted	mg/kWh	35	35	34	36	35	
Efficiency	Seasonal	%	96.13	95.50	96.02	95.95	95.75	
	*SEDBUK 2009	%	89.2	88.8	89.1	89.1	89.0	
Operating Temperature	Max	°C	85					

Evo S	50kw	70kw	95kw	115kw	135kw
Code	219427	219428	219429	219430	219431
List Price	€2,541.76	€3,309.28	€3,973.84	€4,232.80	€4,834.96

*Evo S 50kw 70kw and 95kw boilers come complete with LPG Conversion kits supplied as standard in the box

LPG not available in models 115kw and 135kw

GENERAL DATA

EVO S 50 - 135kW

Model		50kw	70kw	95kw	115kw	135kw
Gas Supply		G20 to G31			G20	
Gas Supply Connection		G1"				
Flow Connection		G1 ¼"				
Return Connection		G1 ¼"				
Max Pressure (sealed system)	Bar (psi)	4.0 (58)				
Electricity Supply		230V - 50Hz				
Power Consumption	W	138	96	160	206	263
IP Rating		IP24D				
Nominal Flue Size (concentric)	mm	80/125	100/150			
Condensate Drain	mm	24				
Water Content	l	5.0	9.0	10.2	12.8	15.3
Dry Weight	Kg	60	90	95	100	125
Noise emission @1m: @maximum modulation	dB(A)	59.7	57.3	58.5	61.6	59.3
Noise emission @1m: @minimum modulation	dB(A)	35.8	33.5	34.3	35.4	36.8

OPTIONAL KITS

Control & Optional Kits	Reference	List Price
Evo S Programmable Room Sensor	219478	€21.68
Evo S Outside Air Temperature Sensor Weather Compensator	219479	€26.00
Evo S Offset Adjustable Room Sensor	219480	€78.00
Evo S Cylinder Sensor Kit	219481	€15.60
Evo S Heating Circuit Sensor Kit	219482	€15.60
Evo S Clip in Kit: +1 Circuit, up to 2 per boiler (for volt free)	219483	€218.40
Evo S Navistem Sequence Controller Kit	219484	€821.60
Evo S LPB Bus Communication Module (Cascade Control)	219485	€56.16
Evo S Insertion Water Temperature Sensor	219486	€15.60
Evo S Strap on Water Temperature Sensor	219487	€43.68

SINGLE BOILER

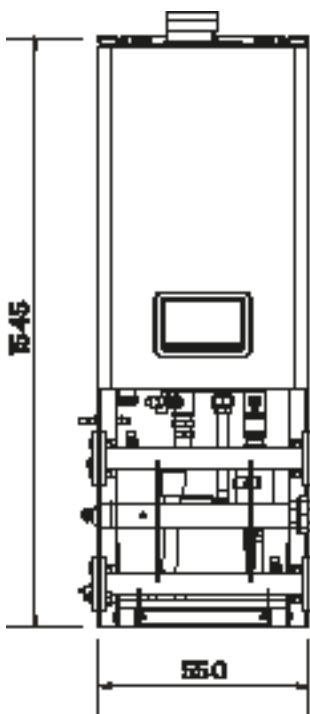
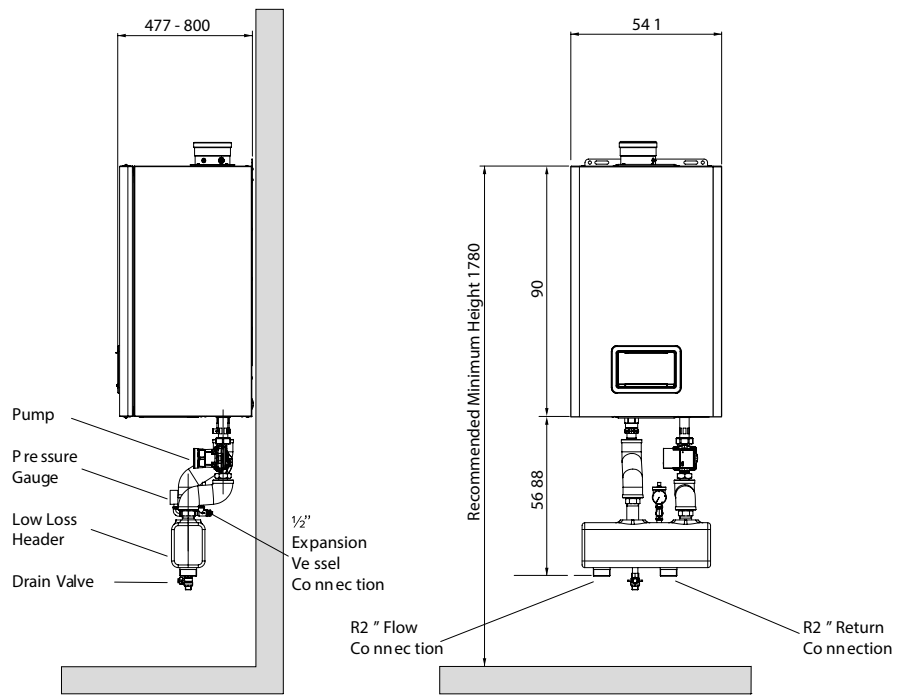
Installations

WHEN INSTALLING A SINGLE EVO S BOILER, THERE ARE WALL HUNG AND FRAME HUNG OPTIONS.

WALL HUNG SINGLE BOILER WITH LOW LOSS HEADER

A simple pipe kit is available for location directly underneath the boiler. When using this pipe kit, the boiler must be mounted to the wall directly so the combined weight of the boiler and low loss header must be accounted for (boiler + 15kg).

Description	Reference	List Price
Single Pipe Kit incl LLH 7 Pump		
219463	50kw	€638
219464	70kw	€715
219465	115kw	€772
219466	135kw	€1,148



FRAME HUNG SINGLE BOILER WITH LOW LOSS HEADER

An alternative solution is to use a frame and header kit and a low loss header for installing a single boiler.

FRAME & HEADER KITS	RATING	HEIGHT (mm)	LENGTH (mm)	DEPTH (mm)	DN FLANGE SIZE	CONCENTRIC FLUE	List Price
219468	50kW	1545	550	642	DN50	80/125	€1,394.64
	70kW	1545	550	642	DN50	100/150	€1,394.64
219472	95 - 135kW	1545	550	642	DN80	100/150	€1,864.72

Description	Reference	List Price
Single Boiler Low Height Frame Kit	219467	€230.88

EVO S CASCADE

Low Height Frame & Header Kits



BOILER LOW HEIGHT FRAME AND HEADER KITS

The Frame and Header Kits are suitable for modular (cascade) boiler installations, and are available up to a maximum output of 540kW.

Kits include flow & return headers with gas header and all with fixing brackets. For easy connection flexible stainless steel pipe and connections are supplied together with pressure relief valves, boiler shut off valves and drain cock. An optional low loss header completes the installation, available to suit either DN50 or DN80 pipe kit assemblies.

Appropriately sized ErP modulating shunt pumps are also included. Flow, return and low loss headers together with the flexible boiler connections are all pre insulated.



NOx
Class 6



BIM

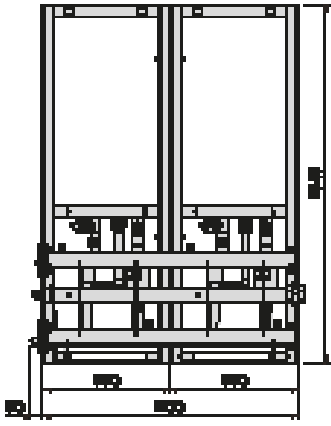
AVAILABLE OPTIONS

	MODELS (kw)	SIZE
2 boilers	50, 70	DN50
2 boilers	95 - 135	DN80
3 boilers	50, 70	DN50
3 boilers	95 - 135	DN80
4 boilers	50, 70	DN50
4 boilers	95 - 135	DN80

For full details of all configurations & specifications, please refer to the installation manual, www.idealboilers.com/downloads

Please note, the EVO S boilers are to be ordered separately.

FRAME & HEADER KITS



2 X EVO S 50 - 135kW

Frame & Header Kits	Rating	Height (mm)	Length (mm)	Depth (mm)	DN Flange Size	Concentric Flue	List Price
219469	50kW	1545	1100	642	DN50	80/125	€2,644.72
	70kW	1545	1100	642	DN50	100/150	€2,644.72
219473	95 -	1545	1100	642	DN80	100/150	€3,117.92

Measurements are without boilers attached.

3 X EVO S 50 - 135kW

Frame & Header Kits	Rating	Height (mm)	Length (mm)	Depth (mm)	DN Flange Size	Concentric Flue	List Price
219470	50kW	1545	1650	642	DN50	80/125	€3,883.36
	70kW	1545	1650	642	DN50	100/150	€3,883.36
219474	95 - 135kW	1545	1650	642	DN80	100/150	€4,888.00

Measurements are without boilers attached.

4 X EVO S 50 - 135kW

Frame & Header Kits	Rating	Height (mm)	Length (mm)	Depth (mm)	DN Flange Size	Concentric Flue	List Price
219471	50kW	1545	2200	642	DN50	80/125	€4,883.84
	70kW	1545	2200	642	DN50	100/150	€4,883.84
219475	95 - 135kW	1545	2200	642	DN80	100/150	€6,204.64

Measurements are without boilers attached.

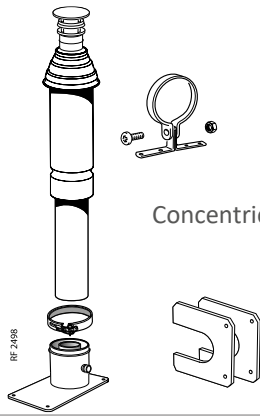
All dimensions in mm

Low Loss Headers

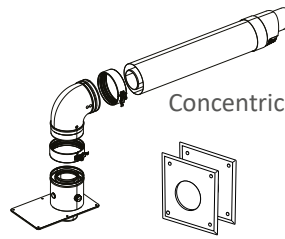


Low Loss Headers	Rating	Height (mm)	Length (mm)	Depth (mm)	DN Flange Size	List Price
219476	50kW, 70kW	1545	1100	642	DN50 - PN06	€374.40
219477	95 -115- 135kW	1545	1100	642	DN80 - PN08	€579.28

EVO S FLUE KITS



Concentric Vertical Flue



Concentric Horizontal Flue

Vertical Open Flue



EVO S FLUE KITS - Concentric		
Flue Kits - Concentric	Reference	List Price
Vertical Roof Flue (Evo30-80) Kit 80/125	220915	€101.92
Vertical Roof Flue (Evo60-80) Kit 100/150	220916	€156.00
Horizontal Roof Flue (Evo30-80) Kit 80/125	220919	€80.08
Horizontal Roof Flue (Evo100-150) Kit 100/150	220921	€139.36
Extension Kit 80/125	213261	€42.64
Extension Kit 100/150	213262	€57.20
Pitched Weather Collar 80/125	152609	€34.32
Pitched Weather Collar 100/150	152610	€34.32
Flat Weather Collar 80/125	152611	€31.20
Flat Weather Collar 100/150	152612	€31.20
90° Elbow 80/125 Standard (Single)	213259	€38.48
90° Elbow 100/150 Standard (Single)	213263	€45.76
45° Elbow 80/125 (Single)	213260	€37.44
45° Elbow 100/150 (Single)	213258	€48.88
Wall Bracket 125mm	202242	€15.60
Wall Bracket 150mm	202243	€16.64
Flue Kits - Open Flue	Reference	List Price
Open Flue Kit 80 (EVO S 50)	219530	€108.16
Open Flue Kit 100 (EVO S 70 - 135)	219531	€137.28
Vertical Flue Terminal 80	158769	€72.80
Vertical Flue Terminal 100	158770	€80.08
Extension Pipes 80 (Pair)	158771	€52.00
Extension Pipes 100 (Pair)	158772	€83.20
90° Elbow 80 (Single)	158773	€16.64
90° Elbow 100 (Single)	158774	€29.12
45° Elbow 80 (Pair)	158775	€33.28
45° Elbow 100 (Pair)	158776	€39.52
Pitched Weather Collar 80 & 100	158779	€35.36
Flat Weather Collar 80 & 100	152259	€46.80

INDEPENDENT HEAT

40 - 150kW

Available in outputs of 40, 60, 80, 100, 120 and 150kW, Independent Heat is designed to ensure all installation requirements can be achieved. There is also an LPG range from 40 to 80 kW for off mains installations.



NOx
Class 6



Wall Hung



Flueing
options

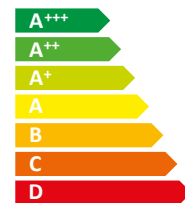


Cascade
control



FEATURES & BENEFITS

- 5 year warranty*
- Robust cast aluminium silicon alloy heat exchanger
- NOx <40mg/kWh (Class 6) for all natural gas models
- High 5:1 turndown
- Up to 99.6% full load efficiency
- Up to 110% part load efficiency
- Fully compatible with all Evomax 2 accessories
- Exactly the same compact footprint as Evomax, allowing for easy like for like replacement
- Dynamic control menu set up
- Cascade controls option
- Easy servicing; 3 sides removable
- Built in, serviceable flue Non-Return Valve



A

Applies to Independent Heat 40 and 60kW models only.

INDEPENDENT HEAT

Condensing - Wall Hung

40 - 150kW



FEATURES & BENEFITS

- 5 year warranty subject to commissioning*
- Robust & light aluminium silicon alloy heat exchanger
- Up to 99.7% full load and up to 110% part load efficiency
- Designed for easy specification, installation and servicing
- Fully compatible with all Evomax 2 accessories including Frame & Header kits, Brazed Plate Heat Exchangers, controls and flues
- Internal flue Non Return Valve as part of the sump assembly
- Fully interchangeable with current Evomax models for easy retrofit

MODEL - NATURAL GAS		40	60	80	100	120	150
Boiler Output (Condensing) 40 °C	kW	42	63.5	84.4	103.9	124.7	158
Nominal Flue Size	mm	80/125	80/125	80/125	100/150	100/150	100/150
Reference		221172	221173	221174	221175	221177	221178
List Price	€	€1,958.32	€2,270.32	€2355.60	€2,972.32	€3,159.52	€4,017.52

MODEL - LPG		40P	60P	80P
Boiler Output (Condensing) 40 °C	kW	41.2	62.1	82.6
Nominal Flue Size	mm	80/125	80/125	80/125
Reference		221178	221179	221180
List Price	€	€1,958.32	€2,270.32	€2,355.60

COMPATIBLE WITH ALL EVOMAX 2 ACCESSORIES AND FLUE OPTIONS

FLOOR STAND



IMAX XTRA

Aluminium

ING COVERED



EVOMOD

Stainless Steel

IMAX XTRA

80 - 280kW



Authorised User No. 00041

The Imax Xtra range of condensing boilers is offered in six models with outputs from 80 to 280kW suitable for floor standing application in either single or multiple applications.



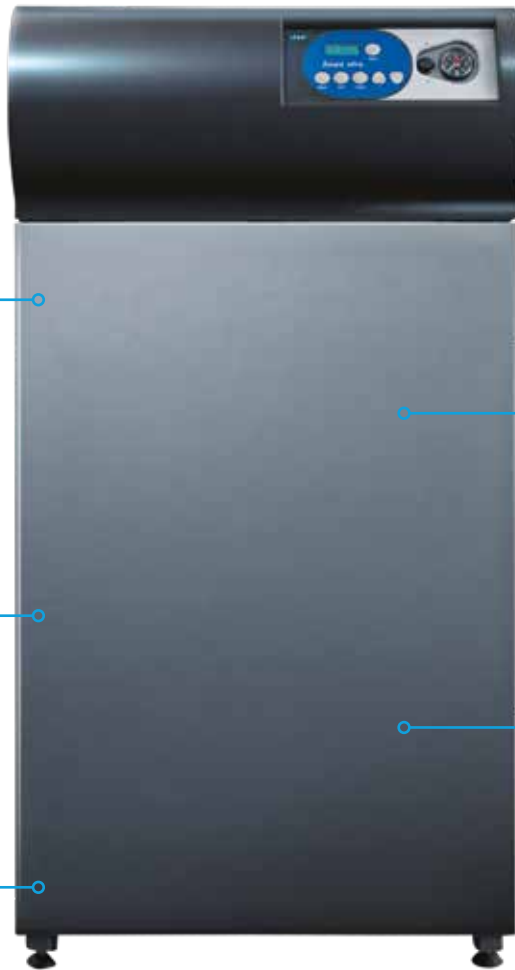
5
YEAR WARRANTY*



Floor
standing



BIM



NOx
Class 5



ErP
Compliant

FEATURES & BENEFITS

- 5 year heat exchanger warranty*
- Robust cast aluminium silicon alloy heat exchanger
- In-built commissioning and fault diagnostics
- Volt free contacts and BMS operation standard
- Meets Building Regulations (Part L2)
- Compact size - small footprint
- High 5:1 turndown
- Up to 107.5% net efficiency (fully condensing)
- Fits through standard doorways
- Conventional or room sealed flue options
- Direct weather compensation option
- NOx <40mg/kWh (Class 5)

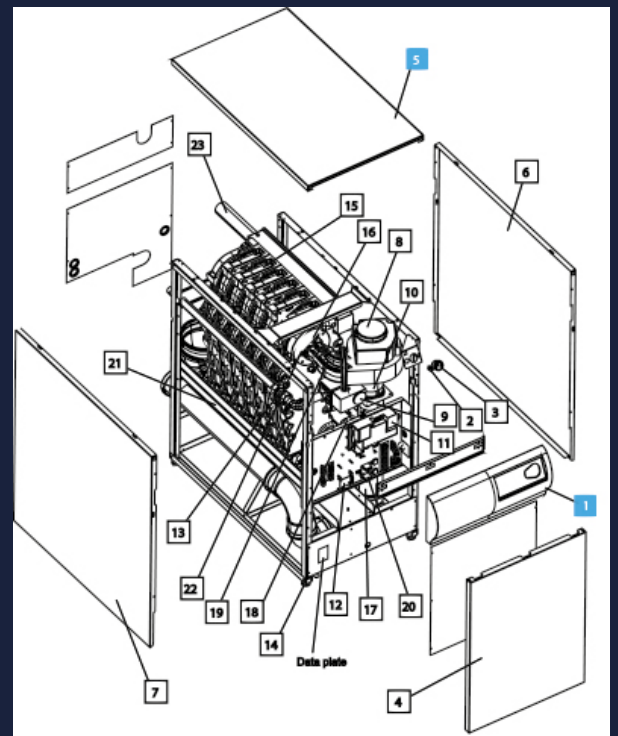
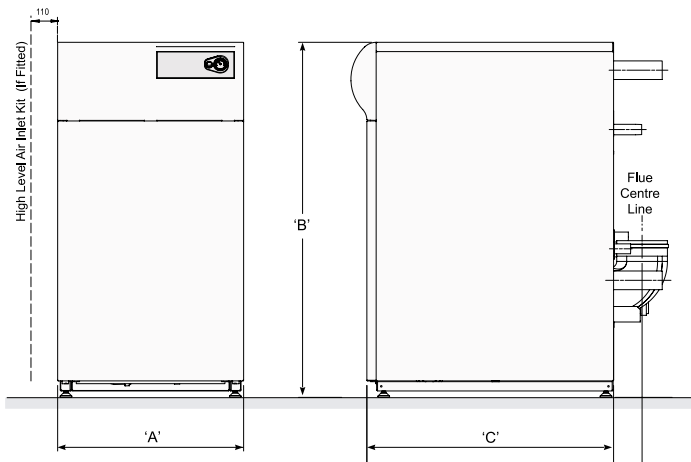
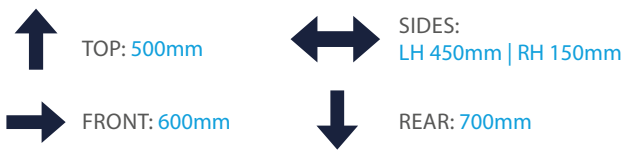
*5 year heat exchanger warranty subject to terms and conditions. Terms & conditions available at www.idealcommercialboilers.com/downloads. 2 year parts and labour warranty as standard.

DIMENSIONS & CLEARANCES

Boiler	Dim A	Dim B	Dim C
80, 120, 160	600	1150	796
200, 240, 280	600	1150	1048

All dimensions in mm

The following minimum clearances must be maintained for operation and servicing:



BOILER ASSEMBLY

EXPLODED VIEW

(280kW MODEL SHOWN)

KEY

- | | |
|-------------------------------------|------------------------------------|
| 1. Control fascia panel | 13. Union Gas cock |
| 2. Burner switch | 14. Levelling feet |
| 3. Pressure gauge | 15. Heat exchanger |
| 5. Casing front panel | 16. Sightglass |
| 6. Casing top panel | 17. Air inlet |
| 7. Casing side panel | 18. Burner manifold |
| 8. Fan | 19. Air pressure switch |
| 9. Gas Valve | 20. Relay |
| 10. Venturi | 21. Cable conduit |
| 11. Control Module | 22. Ignition / detection electrode |
| 12. Alarm / boiler run relays board | 23. Manifold - Flow |

PERFORMANCE DATA

IMAX XTRA 80 - 280kW

MODEL			80kw	120kw	160kw	200kw	240kw	280kw
Boiler Output (non-condensing) Mean 70°C (80/60)	Max	kW	78.6	118	157.3	196.6	235.9	275.2
	Min	kW	23.3	23.3	29.1	43.1	47.0	51.0
Boiler Output (condensing) Mean 40°C (50/30)	Max	kW	82.2	123.4	164.5	207.8	249.4	290.9
	Min	kW	25.8	25.8	32.3	47.3	51.6	55.9
Boiler Input Max Rate	Net	kW	80	120	160	200	240	280
	Gross	kW	88.8	133.3	177.7	222.1	266.5	310.9
Boiler Input Min Rate	Net	kW	24	24	30	44	48	52
	Gross	kW	26.6	26.6	33.3	48.9	53.3	57.7
Gas Rate	Max rate	m³/hr	8.1	12.1	16.1	20.1	24.2	28.2
Approx. flue gas volume (@80°C)	Max Rate i.e. non- condensing	m³/hr	121	182	242	302	363	423
Max. Flue Resistance		Pa	100	100	150	150	150	150
Flue Gas CO ₂ G20/LNG	Max Rate	%	9.3/9.8					
	Min Rate	%	9.1/9.6					
NOx with O ₂ = 0%	Weighted	mg/kWh	26	26	35	26	26	26
		ppm	15	15	20	15	15	15
Seasonal Boiler Efficiency	(Building Regs L2)	%	95.7					
Operating Temperature	Max	°C	90					

IMAX XTRA 80 - 280kW (Boiler Only Price)

BOILER	CODE	LIST PRICE
Imax Xtra 80kw	202434	€4,360.72
Imax Xtra 120kw	202435	€5,063.76
Imax Xtra 160kw	202436	€5,951.92
Imax Xtra 200kw	202437	€6,544.72
Imax Xtra 240kw	202438	€7,012.72
Imax Xtra 280kw	202439	€7,792.72

GENERAL DATA

IMAX XTRA 80 - 280kW

MODEL		80kw	120kw	160kw	200kw	240kw	280kw
Gas Supply		2H - G20 - 20mbar					
Gas Supply Connection	R (in. BSP)	1					
Flow Connection	R (in. BSP)	2					
Return Connection	R (in. BSP)	2					
Hydraulic Resistance Δ 20°C	mbar	80	85	90	95	100	105
Max Pressure (sealed system)	bar (psi)	6 (87)					
Maximum Static Head	m	61					
Boiler Electricity Supply		230V - 50Hz					
Boiler Fuse Rating		External: 3A* Internal: 2AT, 4AT			External: 5A* Internal: 2AT, 4AT		
Power Consumption (boiler only)	W	250			400		
Air Inlet (optional)	O/D mm	110					
Flue Size dia	mm	150			200		
Condensate drain	mm	21.5					
Boiler dry weight (unpacked)	Kg	132	150	168	198	215	233
Water Content	l	11.0	14.3	17.5	18.4	24.0	27.2

OPTIONAL KITS

CONTROL & OPTIONAL KITS	REFERENCE	LIST PRICE
Modulating Sequencer Kit (including Air & Flow Header Sensors)	158493	€955.73
Programmable Room Thermostat Kit (incl Room Sensor & Interface Kit	158492	€217.21
Outside Sensor Kit (Weather Compensation)	158496	€60.84
Tank Sensor Kit	158497	€60.84
Room Sensor Kit	158877	€60.84
DHW Sensor Kit	159562	€60.84
Air Inlet Kit (supplied as standard)	204321	€101.15
Control Interface Kit: When the modulating Sequencer Kit (158493) is installed, the control interface kit must also be fitted (imax xtra only)	158632	€34.77
Condensate Pump Kit	214106	€68.64

IMAX XTRA EL

320 - 1240kW



EVOMOD

250 - 1000kW



IMAX XTRA EL

320 - 1240kW



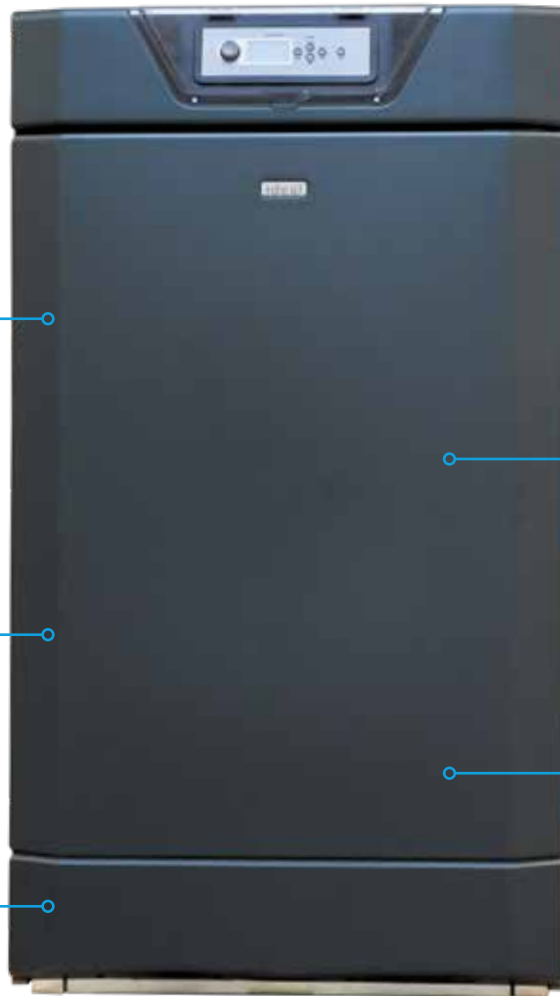
The Imax Xtra EL range of condensing boilers is available in 10 models with outputs from 320 to 1240kW. Suitable for floor standing applications in either single or multiple installations.



Floor standing



BIM



NOx Class 6



ErP Compliant

FEATURES & BENEFITS

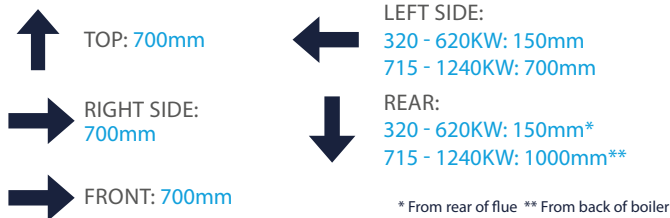
- 5 year heat exchanger warranty*
- Simple control interface with large backlit display
- Volt free contacts
- 0-10V BMS operation standard
- Robust aluminium silicon alloy heat exchanger
- Suitable for single or multiple installations
- Up to 109.8% part load at 30% output
- 2 year parts and labour warranty
- NOx <40mg/kWh (Class 6)
- Natural Gas
- ErP compliant (320 - 395kW)
- Building Regulation Part L2 compliant (470 - 1240kW)
- MCPD compliant (1090 - 1240kW)

DIMENSIONS & CLEARANCES

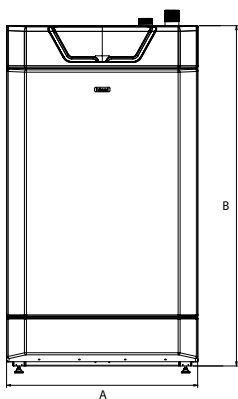
BOILER	DIM A	DIM B	DIM C
320, 395, 470, 545, 620	835	1485	1685
715, 790, 940, 1090, 1240	1674	1485	1685

All dimensions in mm

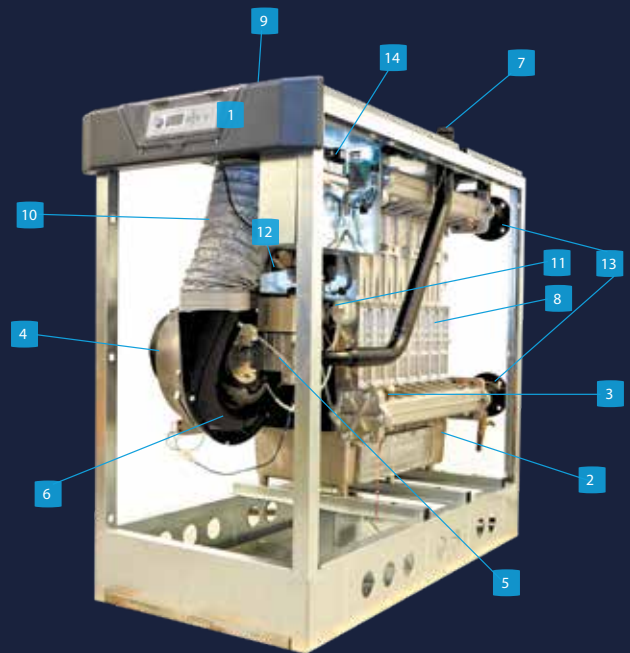
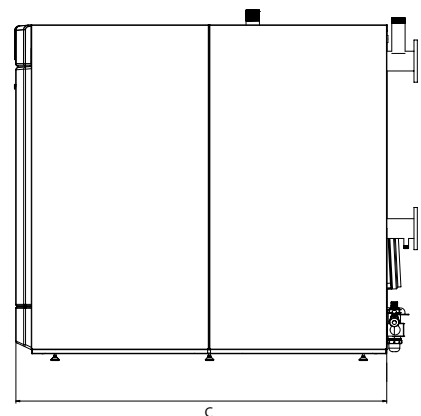
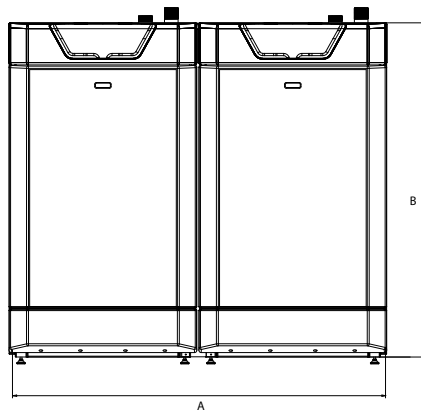
The following minimum clearances must be maintained for operation and servicing:



320 - 620kW



715 - 1240kW



BOILER ASSEMBLY

EXPLODED VIEW

(620kW MODEL SHOWN)

KEY

1. Control module
2. External condensate trap
3. Water pressure switch
4. Fan
5. Gas valve
6. Whirlwind
7. Gas inlet
8. Heat exchanger
9. Air inlet
10. Burner manifold
11. Air pressure switches
12. Ignition / detection electrode
13. Manifold - Flow - Return
14. PCB

PERFORMANCE DATA

IMAX XTRA EL 320 - 1240kW

MODEL			320kw	395kw	470kw	545kw	620kw	715kw	790kw	940kw	1090kw	1240kw
Boiler output (non condensing) Mean 70°C	Max	kW	298.4	368.3	438.6	508.6	578.2	666.7	736.6	877.2	1017.2	1156.4
	Min	kW	58.9	72.6	85.2	100.7	114.9	131.5	145.2	170.4	201.4	229.8
Boiler output (condensing) Mean 40°C	Max	kW	323.1	399.5	475.8	552.7	628.9	722.6	799.0	951.6	1105.4	1257.8
	Min	kW	66.7	80.5	95.6	113.0	127.6	147.2	161.0	191.2	226.0	255.2
Boiler Input Max Rate	Net	kW	304.8	376.2	447.6	519.0	590.0	681.0	752.4	895.2	1038.0	1180.0
	Gross	kW	338.3	417.5	496.8	576.0	654.8	755.8	835.0	993.6	1152.0	1309.6
Boiler Input Min Rate	Net	kW	61.0	75.2	89.5	103.8	118.0	136.2	150.4	179.0	207.6	236.0
	Gross	kW	67.7	83.5	99.3	115.2	131.0	151.2	167.0	198.6	230.4	262.0
Gas Rate	Max	m³/hr	32.2	39.8	47.4	54.9	62.2	72.0	79.6	94.8	109.8	124.4
Approx. flue gas volume (@80°C)	Max	m³/hr	472.6	583.3	694.0	804.7	914.8	1055.9	1166.6	1388.0	1609.4	1829.6
	Min	m³/hr	95.2	117.4	139.6	162.0	184.2	212.6	234.8	279.2	324.0	368.4
Approx. flue gas temps 50/30°C	Max	°C	43									
	Min	°C	31									
Approx. flue gas temps 80/60°C	Max	°C	63									
	Min	°C	50									
Max. Flue Resistance		Pa	100									
Flue Gas CO ₂ G20/LNG	Max Rate	%	9.5									
	Min Rate	%	9.0									
Maximum Flue Temperature		°C	100									
NOx with O ₂ = 0%	Weighted	mg/ kWh	39.1	38.6	35.8	38.7	38.0	39.1	38.6	35.8	38.7	38.0
	Class		6									
Boiler Efficiency Full Load 80/60°C		%	97.9	97.9	98.0	98.0	98.0	97.9	97.9	98.0	98.0	98.0
Boiler Efficiency Part Load		%	109.7	109.7	109.8	109.8	109.8	109.7	109.7	109.8	109.8	109.8
Boiler Efficiency Full Load 50/30°C		%	106	106.2	106.3	106.5	106.6	106.1	106.2	106.3	106.5	106.6
Seasonal Boiler Efficiency	(Building Regs L2)	Gross %	96.8	96.8	96.9	96.9	97.0	96.8	96.8	96.9	96.9	97.0
Operating Temperature	Max	°C	90 for sealed system 80 for open vent systems									

Gas supply pressure	mbar	20											
Gas Supply Connection	R (in. BSP)	2"							2" x 2*				
Flow Connection	R (in. BSP)	3" - DN80 - PN6*											
Return Connection	R (in. BSP)	3" - DN80 - PN6*											
Hydraulic Resistance @ΔT 20°C	mbar	98.0	96.0	94.0	93.0	92.0	102.9	100.8	98.7	97.65	96.6		
Max system pressure	bar (psi)	6 (87)											
Boiler electrical supply		230v - 50Hz											
Boiler fuse rating	A	7							7 x 2				
Power consumption (boiler only)	W	610	592	670	625	770	1202	1184	1340	1250	1540		
Air Inlet	mm	200							200 x 2*				
Flue Size diameter	mm	250							303			353	
Condensate drain	mm	21.5							21.5 x 2				
Boiler dry weight (unpacked)	kg	417	451	479	507	528	918	952	1008	1066	1106		
Water Content	l	47.3	53.3	59.3	65.3	75.3	94.6	106.6	118.6	130.6	150.6		

*Optional headers not fitted

IMAX XTRA EL 320 - 1240kW

BOILER	CODE	LIST PRICE
Imax Xtra EL 320kw	212957	€12,472.72
Imax Xtra EL 395kw	212958	€13,876.72
Imax Xtra EL 470kw	212959	€14,812.72
Imax Xtra EL 545kw	212960	€15,873.52
Imax Xtra EL 620kw	212961	€16,809.52
Imax Xtra EL 715kw	214281	€28,072.72
Imax Xtra EL 790kw	214282	€29,476.72
Imax Xtra EL 940kw	214283	€31,192.72
Imax Xtra EL 1090kw	214284	€32,994.00
Imax Xtra EL 1240kw	214285	€34,710.00

PUMPS	CODE	LIST PRICE
Boiler Pump Kit 320 - 620 Wilo Stratos 80/1-12 (single only)	213955	€2,067.00

SYSTEM ACCESSORIES	CODE	LIST PRICE
Sealed System Services Flow Manifold (1 per module)	213949	€107.64
Flow Header Pack (Dual Only)	214231	€631.80
Gas Header (Dual Only)	214268	€396.24

FLUE ACCESSORIES	CODE	LIST PRICE
Inlet Air Filter Kit (1 per module)	213940	€83.20
Room Sealed Air Duct Kit (1 per module)	213941	€22.62
Condensate Pump Kit	214106	€68.64
Room Sealed Air Inlet Header Kit (Dual Only)	215024	€276.12

PUMPS	CODE	LIST PRICE
Modulating Sequencer Kit	158493	€955.73
Sequencer DHW Tank Sensor Kit	159562	€60.84
Sequencer Plant - Room Sensor Kit	158877	€60.84
Programmable Room Thermostat	158492	€217.21
Programmable Room Thermostat (not compatible with modulating sequencer kit; use 158492)	206796	€217.21
Outside Sensor Kit	206797	€60.84
DHW Tank Sensor Kit	206798	€52.14
Sequencer 6 Zone Expansion Kit	213887	€343.20
Safety Interlock Kit	213889	€53.82
BACnet Gateway	213890	€1,069.12
LONworks Gateway	213892	€1,115.92
MODBus Gateway	213891	€866.32
Remote Access Kit	213888	€597.48

EVOMOD

250 - 1000kW



Available in 250, 500, 750 and 1000kW modules, the Evomod will achieve an output up to 1MW from a single unit solution together with a minimum footprint that enables the product to be installed where space is limited. Each module provides a maximum of 250kW heat output and will modulate down through a sophisticated control system.



5
YEAR WARRANTY*



Floor
standing



BIM



NOx
Class 5



ErP
Compliant

FEATURES & BENEFITS

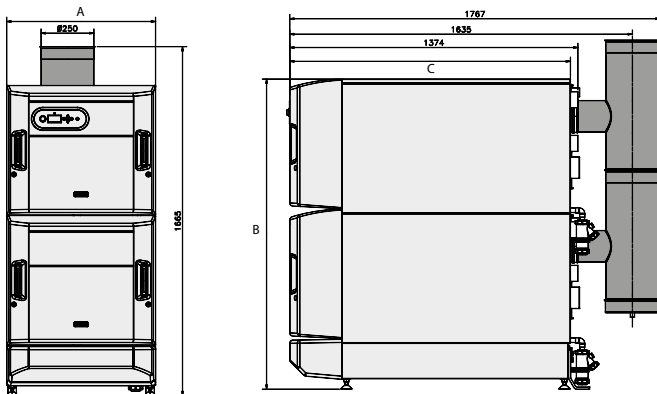
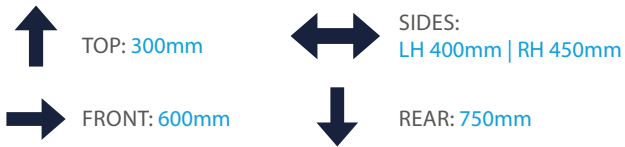
- 5 year heat exchanger warranty*
- Modules up to 3 high stacking
- Stainless steel heat exchanger
- Built in module diagnostics, sequencing and remote indication
- Single flue outlet, system, gas and electrical connections
- Up to 20:1 turndown: 1MW boiler can modulate down to just 46.7kW
- Easy access for servicing
- Minimum footprint with easy site handling and standard doorway access allowing simplified plant replacement
- NOx <40mg/kWh (Class 5)
- 2 year parts and labour warranty
- Up to 108.5% net efficiency (fully condensing)
- Single boiler control for all module options
- ErP compliant (250kW)
- Building Regulation Part L2 compliant (500 - 1000kW)
- MCPD compliant (1000kW)

DIMENSIONS & CLEARANCES

Boiler	Dim A	Dim B	Dim C
250	710	860	1339
500	710	1480	1339
750	710	2100	1339
1000	1428	1480	1339

All dimensions in mm

The following minimum clearances must be maintained for operation and servicing:



BOILER ASSEMBLY

EXPLODED VIEW
(500kW MODEL SHOWN)

KEY

1. Fan
2. Gas Valve
3. Venturi
4. Mains Connection Box
5. Heat exchanger
6. Thermistor (flow)
7. Thermistor (return)
8. Condensate Blockage Pressure Switch
9. Flue Sampling Point
10. Water Pressure Switch

GENERAL DATA

EVOMOD 250 - 1000kW

MODEL		250	500	750	1000
Gas Supply		2H - G20 - 20mbar			
Gas Supply Connection	R (in. BSP)	R1¼	R2	R2	R2½
Flow Connection	R (in. BSP)	2½" PN16	5" PN16		
Return Connection	R (in. BSP)	2½" PN16	5" PN16		
Hydraulic Resistance Δ 20°C	mbar	410			
Hydraulic Resistance Δ 20°C with optional water header pack	mbar	100	105	110	120
Max Press (sealed system)	bar (psi)	6 (87)			
Maximum Static Head	m	61 (200)			
Boiler Electricity Supply		230V - 50Hz			
Boiler Fuse Rating		1 x 5A Internal	2 x 5A Internal	3 x 5A Internal	4 x 5A Internal
Power Consumption (boiler only)	W	350	680	1020	1350
Air Inlet (optional)	O/D mm	300			300 x 2
Flue Size dia	mm	150	250		300
Condensate drain	mm	21.5	2 x 21.5	3 x 21.5	4 x 21.5
Boiler dry weight (unpacked)	Kg	229	420	611	845
Water Content	l	14.8	29.6	44.4	59.2
IP Rating		IP20			

Electricity supply and Fuse rating for pumps etc. refer to manufacturer's instructions.

Note. Natural gas consumption is calculated using a calorific value of 37.8MJ/m³ (1038Btu/ft³) gross or 34 MJ/m³ (910 Btu/ft³) net at 15°C and 1013.25 mbar.

- For l/s divide the gross heat input (kW) by the gross C.V. of the gas (MJ/m³)
- For ft³/h divide the gross heat input (Btu/h) by the gross C.V. of the gas (Btu/ft³)
- For M³/h multiply L/S by 3.6.

PERFORMANCE DATA

EVOMOD 250 - 1000kW

MODEL			250	500	750	1000
Boiler Output (non-condensing) Mean 70°C (80/60)	Max	kW	232.5	465	697.5	930
	Min	kW	46.7	46.7	46.7	46.7
Boiler Output (condensing) Mean 40°C (50/30)	Max	kW	252.5	505	757.5	1010
	Min	kW	51.4	51.4	51.4	51.4
Boiler Input Max Rate	Net	kW	238	476	714	952
	Gross	kW	264.1	523.2	792.3	1056.4
Boiler Input Min Rate	Net	kW	47.6	47.6	47.6	47.6
	Gross	kW	52.8	52.8	52.8	52.8
Gas Rate	Max rate	m³/hr	25.2	50.4	75.6	100.8
Approx. flue gas volume (@80°C)	Max Rate i.e. non- condensing	m³/hr	391	783	1174	1566
Max. Flue Resistance		Pa	105			
Flue Gas CO ₂ G20/LNG	Max Rate	%	9.1 ± 0.2			
	Min Rate	%	8.4 ± 0.2			
NOx with O ₂ = 0%	Weighted	mg/kWh	39.7			
		ppm	22.5			
Seasonal Boiler Efficiency	(Building Regs L2)	%	95.9			
Operating Temperature	Max	°C	80			

BOILER	REFERENCE	LIST PRICE
EVOMOD 250 - 252.5 kw , 150mm	206788	€11,146.72
EVOMOD 500 - 505 kw, 250mm	206789	€21,450.00
EVOMOD 750 - 757.5 kw, 250mm	206790	€30,030.00
EVOMOD 1000 - 1010 kw, 300mm	206791	€40,240.72

HEADER KITS	REFERENCE	LIST PRICE
EVOMOD Header Assy 500 Packaged	206792	€3,190.72
EVOMOD Header Assy 750 Packaged	206793	€4,251.52
EVOMOD Header Assy 1000 Packaged	206794	€5,772.00
EVOMOD Header Assy 500 c/w Valves Packaged	206864	€3,424.72
EVOMOD Header Assy 750 c/w Valves Packaged	206865	€4,516.72
EVOMOD Header Assy 1000 c/w Valves Packaged	206866	€6,279.52
Water Connection Kit EVOMOD 250 (must be ordered with boilers)	206863	€460.72

OPTION KITS	REFERENCE	LIST PRICE
EVOMOD Air Inlet Collar Kit	207149	€33.28
Condensate Pump Kit	214106	€68.64

EVOJET

150 - 1450kW

The Evojet condensing range of pressure jet boilers are available in 10 models with outputs from 150 - 1450kW. Floor standing boilers for applications in either single or multiple configurations.



Pressure Jet



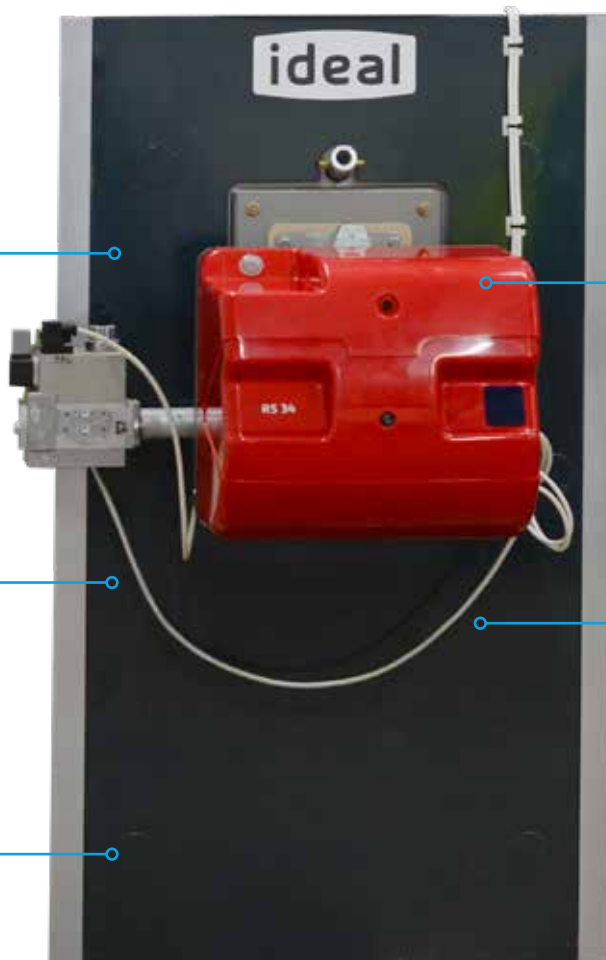
Floor standing



Dual Fuel



BIM



FEATURES & BENEFITS

- Up to 109.3% part load efficiency
- Multiple burner options available
- Designed to operate up to 40°C ΔT providing minimum flow rates are achieved
- Modulation via 0-10 volt BMS, or RWF controller
- Dedicated low temp return
- Stainless steel heat exchanger
- Triple flue pass for high operating efficiencies

PERFORMANCE DATA
EVOJET 150 - 1450kW (GAS)

MODEL			150	210	270	350	450	600	800	1000	1250	1450
Output Power (80/60)	Max	kW	146.6	205.2	264.3	343.7	441.9	589.2	785.6	982.0	1227.5	1423.9
	Min	kW	108.2	147.1	207.8	264.2	342.2	439.7	586.0	781.0	976.0	1219.7
Output Power (50/30)	Max	kW	160.5	224.7	288.9	374.5	481.5	642.0	856.0	1070.0	1337.5	1551.5
Efficiency Pn (80/60)	Max	%	97.7	97.7	97.9	98.2	98.2	98.2	98.2	98.2	98.2	98.2
	Min	%	97.5	97.7	98.2	98.3	97.5	97.5	97.5	97.5	97.5	97.5
Efficiency Pn (50/30)	Max	%	107									
Efficiency Part Load		%	108.5	109.3	109.2	108.7	108.7	108.7	108.7	108.7	108.7	108.7
Losses from stack for sensible heat (Qmax)		%	1.7	1.7	1.5	1.5	1.9	1.9	1.9	1.9	1.9	1.9
Losses from casing with burner on		%	0.3	0.3	0.5	1.0	0.6	0.6	0.6	0.6	0.6	0.6

GENERAL DATA

*Depends on return temperature (30-60°C)

**At Pn max and output T = 80°C, return T = 60°C and CO₂ = 10.3%

EVOJET 150 - 1450kW (GAS)

MODEL		150	210	270	350	450	600	800	1000	1250	1450
Fuel		GAS (Natural Gas & LPG compatible)									
Constant pressure drop	%	<1									
Flue gas temperature (ΔT)	°C	< 45+75*									
Flue gas mass flow rate (Q max)**	kg/sec	0.07	0.09	0.12	0.15	0.20	0.26	0.33	0.43	0.54	0.63
Furnace pressure	mbar	2.0	2.7	3.2	4.6	5.0	5.5	5.7	6.3	6.8	7.4
Furnace volume	dm ³	172	172	241	279	442	496	753	845	1037	1249
Total volume of flue gas side	dm ³	272	292	413	482	737	860	1290	1454	1763	2097
Heat exchanger surface area	m ²	8.20	10.40	13.00	16.30	21.80	28.80	39.60	46.50	56.20	62.28
Volumetric heat load (Q max)	kW/m ³	872	1221	1120	1254	1018	1210	1062	1183	1205	1161
Specific heat load	kW/m ²	18.0	19.9	20.4	20.9	20.1	20.3	18.5	21.0	21.7	22.6
Maximum condensate production	l/h	18.4	27.4	31.9	40.9	52.2	73.8	88.0	111.4	132.7	159.5
Maximum working pressure	bar	6									
Maximum admissible temperature	°C	110									
Maximum working temperature	°C	95									
Pressure drop ΔT 10°C	mbar	43.2	36.0	54.0	46.4	33.8	30.2	128.7	121.5	100.4	150.1
Pressure drop ΔT 20°C	mbar	11.3	10.2	16.3	13.4	9.0	8.5	28.7	30.6	28.4	36.3
Water capacity	l	323	360	495	555	743	770	1320	1395	1825	1900
Weight of boiler	kg	510	530	677	753	1095	1250	1870	2085	2515	3050
Weight of panelling	kg	50	50	60	70	90	120	140	160	215	230

PERFORMANCE DATA

EVOJET 150 - 1450kW (OIL)

MODEL			210	270	350	450	600	800	1000	1250	1450
Output Power (80/60)	Max	kW	203.7	263.8	343.7	441.9	589.2	785.6	982.0	1227.5	1423.9
	Min	kW	147.1	207.8	264.2	342.2	439.7	586.0	781.0	976.0	1219.7
Efficiency Pn (80/60)	Max	%	97.0	97.7	98.2	98.2	98.2	98.2	98.2	98.2	98.2
	Min	%	97.4	98.5	97.5	97.5	97.5	97.5	97.5	97.5	97.5
Losses from stack for sensible heat (Qmax)		%	1.7	1.5	1.5	1.9	1.9	1.9	1.9	1.9	1.9
Losses from casing with burner on		%	0.3	0.5	1.0	0.6	0.6	0.6	0.6	0.6	0.6

GENERAL DATA

*At Pn max and output T = 80°C, return T = 60°C and CO₂ = 10.3%

EVOJET 150 - 1450kW (OIL)

MODEL		210	270	350	450	600	800	1000	1250	1450	
Fuel		Low Sulphur Oil									
Constant pressure drop	%	<1									
Flue gas temperature (ΔT)	°C	75.0									
Flue gas mass flow rate (Q max)*	kg/sec	0.09	0.12	0.15	0.20	0.26	0.33	0.43	0.54	0.63	
Furnace pressure	mbar	2.7	3.2	4.6	5.0	5.5	5.7	6.3	6.8	7.4	
Furnace volume	dm ³	172	241	279	442	496	753	845	1037	1249	
Total volume of flue gas side	dm ³	292	413	482	737	860	1290	1454	1763	2097	
Heat exchanger surface area	m ²	10.40	13.00	16.30	21.80	28.80	39.60	46.50	56.20	62.28	
Volumetric heat load (Q max)	kW/m ³	1221	1120	1254	1018	1210	1062	1183	1205	1161	
Specific heat load	kW/m ²	19.9	20.4	20.9	20.1	20.3	18.5	21.0	21.7	22.6	
Maximum working pressure	bar	6									
Maximum admissible temperature	°C	110									
Maximum working temperature	°C	95									
Pressure drop ΔT 10°C	mbar	36.0	54.0	46.4	33.8	30.2	128.7	121.5	100.4	150.1	
Pressure drop ΔT 20°C	mbar	10.2	16.3	13.4	9.0	8.5	28.7	30.6	28.4	36.3	
Water capacity	l	360	495	555	743	770	1320	1395	1825	1900	
Weight of boiler	kg	530	677	753	1095	1250	1870	2085	2515	3050	
Weight of panelling	kg	50	60	70	90	120	140	160	215	230	

Description	Reference	List Price
Pro 35mm/40mm Dual XP Filter	FL1-03-02028	€1,300

DRX 2" Filter DN50	FL1-03-03781	€2,550
DRX 2,1/2" Filter DN65	FL1-03-03814	€3,100
DRX 3" Filter DN80	FL1-03-03782	€3,600
DRX 4" Filter DN100	FL1-03-03783	€4,300

Commercial 2" Filter	CP1-03-01123	€4,700
Commercial 3" Filter	CP1-03-01124	€5,650
Commercial 4" Filter	CP1-03-01125	€6,500
Commercial 6" Filter	CP1-03-01126	€11,500
Commercial 8" Filter	CP1-03-02147	€14,500

MC1+ Protector 5ltr	CH1-03-01723	€300
MC3+ Cleaner 5ltr	CH1-03-01725	€300
MC5 Rapidflush System Cleaner 5ltr	CP1-03-01000	€450
MC40+ Cleaner & Descaler 5ltr	CH1-03-03246	€1,500
MC10+ Biocide10ltr	CH1-03-03284-WE	€1,100
McZero CH Anti-Freeze 5ltr	CP1-03-00990	€70

2" Air & Dirt Seperator	CH1-03-01640	€1,680
2.5" Air & Dirt Seperator	CH1-03-01645	€1,700
3" Air & Dirt Seperator	CH1-03-02038	€2,290
4" & Dirt Seperator	CH1-03-02039	€2,380
5" Air & Dirt Seperator	CH-03-02040	€4,120
6" Air & Dirt Seperator	CH1-03-03420	€4,450
8" Air & Dirt Seperator	CH1-03-00990	€6,760

Description	Reference	List Price
3.5ltr Dosing Pot	FL1-03-04728	€460
6ltr Dosing Pot	FL1-03-04312	€500
11ltr Dosing Pot	FL1-03-04313	€610
18ltr Dosing Pot	FL1-03-04314	€710

CMX Nano Filter	FL1-03-05010	€2,250
CMX Midi Filter	FL1-03-05013	€4,250
CMX Maxi Filter	FL1-03-05014	€9,350
Nano & Midi System Kit	FL1-03-05200	€510
CMX Maxi System Kit	PK2-03-05201	€580

Mini 130 Pressurisation Unit	CP1-03-04911	€1,480
Mini 230 Pressurisation Unit	CP1-03-04912	€1,620

Midi 135 Pressurisation Unit	CP1-03-04913	€2,400
Midi 150 Pressurisation Unit	CP1-03-04914	€2,950
Midi 235 Pressurisation Unit	CP1-03-04915	€2,950
Midi 250 Pressurisation Unit	CP1-03-04916	€3,480

Maxi 180 Pressurisation Unit	CP1-03-04998	€6,420
Maxi 280 Pressurisation Unit	CP1-03-04999	€9,380





IDEAL
ENERGY

The Complete Solution

Ideal Energy Distribution Ltd, Ascot House, Kinsealy Lane, Malahide, Co. Dublin. K36 HH42
Phone: 01 9617700 Email: sales@idealenergy.ie Website: www.idealenergy.ie

ideal
HEATING